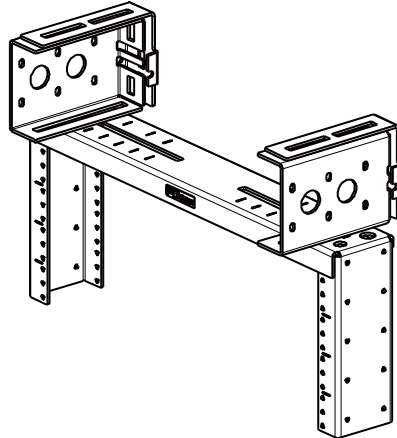


PanZone™ 天井配線ラック取付型 19 インチラック

13071A

©Panduit Corporation Japan Branch



製品仕様

材質	スチール
----	------

環境性能

使用環境	使用温度範囲	-10 ~ +60 [°C]
	使用湿度範囲	25 ~ 85 [%] (結露なきこと)
	設置場所	事務所・住宅等の屋内のみ (水気・直射日光・機械的衝撃・過重等は厳禁)

寸法 詳細は別紙寸法図を参照(寸法はインチとなり、[]内はメートル表示です)

公称寸法 (公差 ±0.8 [mm])	本体	PZLRB2U	W 515.0 × D 83.0 × H 121.0 [mm]
		PZLRB4U	W 515.0 × D 83.0 × H 210.0 [mm]
		PZLRB6U	W 515.0 × D 83.0 × H 298.0 [mm]
	ブラケット合計	W 54.0 × D 161.0 × H 107.0 [mm]	

質量

公称重量	PZLRB2U	4.73 [kg]
	PZLRB4U	5.27 [kg]
	PZLRB6U	5.84 [kg]

カラー

カラー	BL (黒)
-----	--------

添付品

コの字型ブラケット	2 個	
L字型連結ブラケット	2 個	
六角ナット&ボルト	各 6 個	3-8/16
#12-24 ネジ	4 本組 : PZLRB2U=2 セット、PZLRB4U=4 セット、PZLRB6U=6 セット	

含有化学物質調査

調査項目	RoHS 対応済み	現用品
------	-----------	-----

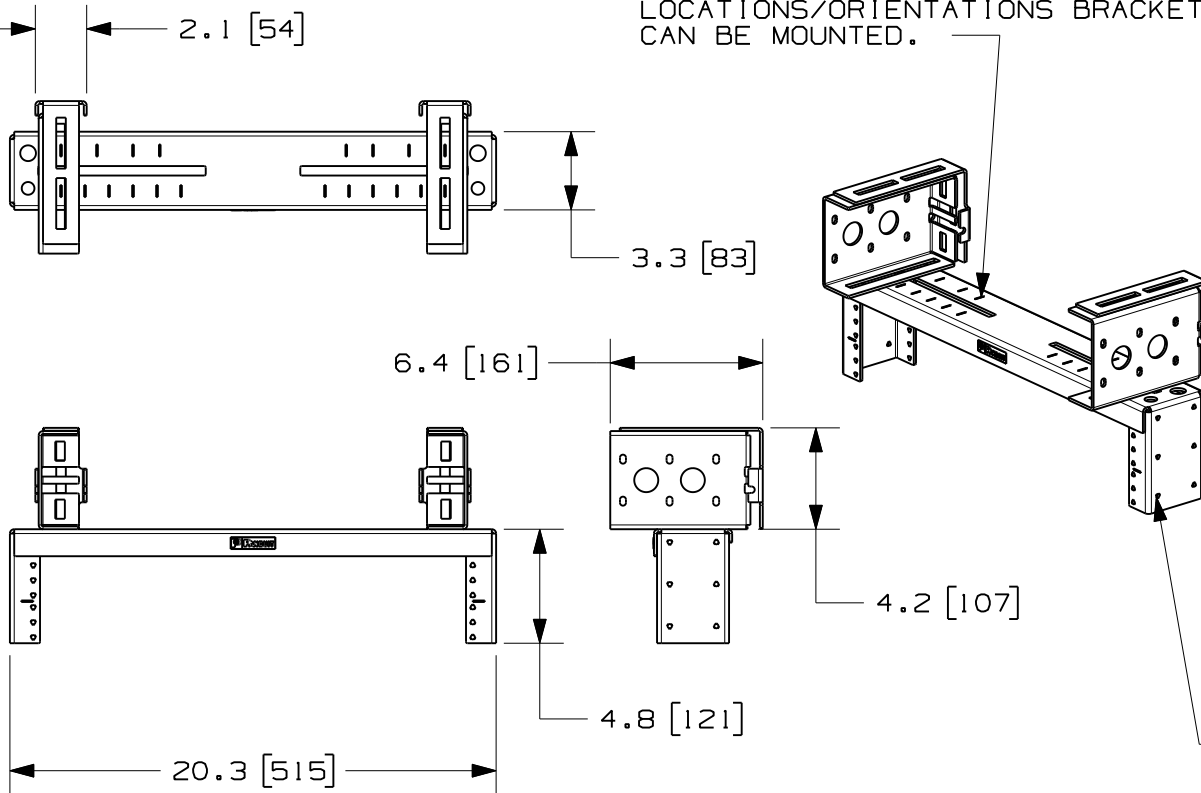
改版履歴

版数	改版日	変更内容	担当
01	2013.8.14	初版制定	猿渡

版	制定	作成	承認
01	2013年8月14日	猿渡	高山

THIS COPY IS PROVIDED ON A RESTRICTED BASIS AND IS NOT TO BE USED IN ANY WAY DETRIMENTAL TO THE INTERESTS OF PANDUIT CORP.

MARKINGS CORRESPOND TO THE VARIOUS LOCATIONS/ORIENTATIONS BRACKETS CAN BE MOUNTED.



PANDUIT PART NO.	WEIGHT
PZLRB2U	10.42 LBS/EACH 4.73 kgs/EACH

NOTES:

- SEE CURRENT CATALOG FOR ADDITIONAL PART NUMBER SUFFIXES TO INDICATE COLOR AND OR PACKAGE QUANTITY.
- SEE CATALOG FOR COMPLETE LIST OF PARTS APPLICABLE FOR USE WITH THIS PART.
- DIMENSIONS IN PARENTHESES ARE IN METRIC.
- PART INCLUDES:
 - 1- MAIN BRACKET
 - 2- RECTANGULAR BRACKETS
 - 2- L-SHAPED ATTACHMENT BRACKETS
 - 6- 3-8/16 HEX SERRATED FLANGE NUTS
 - 6- 3-8/16 CARRIAGE BOLTS
 - 2- #12-24 SCREWS (4 PACK)
- CABLE MANAGEMENT OPTIONS:
 - BEND RADIUS POSTS (PZBR4)
 - VERTICAL D-RINGS (CMVDR2)

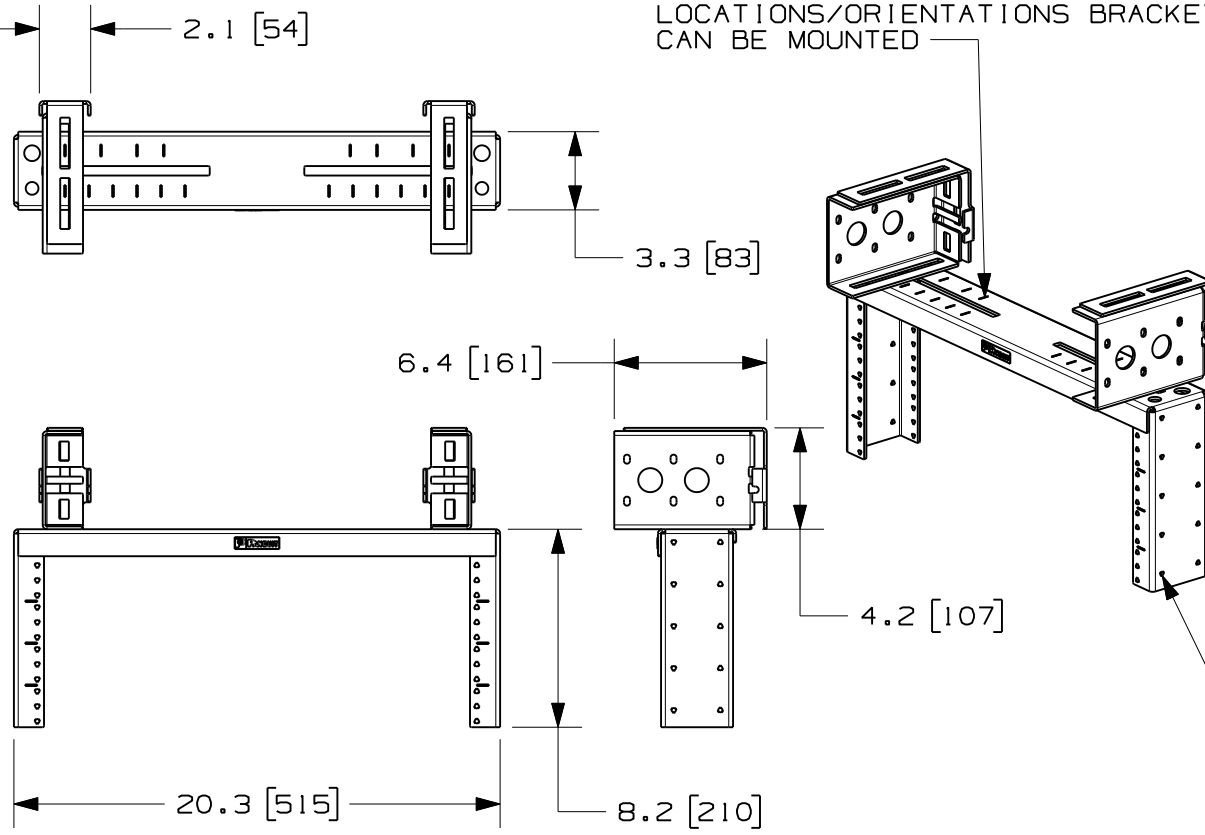
HOLES FOR ATTACHING CABLE MANAGEMENT PRODUCTS. (SEE NOTE 5)

MODEL FILENAME		V10521A0/00	
CAD FILENAME/LAYERS		V10521A0_DC/00A	
<h1>PANDUIT</h1> CORP. TINLEY PARK, ILLINOIS			
PANZONE OVERHEAD DISTRIBUTION RACK (PZLRB2U) CUSTOMER DRAWING			
UNLESS OTHERWISE SPECIFIED, DIMENSIONAL TOLERANCES ARE:		UNLESS OTHERWISE SPECIFIED,	
INCHES	[METRIC - MILLIMETER]	ALL DIMENSIONS ARE GIVEN	
X.X +/- 0.03	X. +/- 0.8	IN INCHES, THIRD ANGLE PROJECTION.	
X.XX +/- 0.015	X.X +/- 0.4		
X.XXX +/- 0.005	X.XX +/- 0.13		
ANGLE			
		+/- 1°	
DRAWN BY	MAT'L:	SCALE	
PM		1:8	
DATE		DRAWING NO.	
6-6-11	N/A	V10521A0-DC	
CHK'D		DWG	
SRK		A	
		SIZE	

REV	DATE	BY	CHK	DESCRIPTION	ECN	R	CUST	SUP	OTH
OOA	6-6-11	PM	SRK	RELEASED TO PRODUCTION	V10521A0-DC				

THIS COPY IS PROVIDED ON A RESTRICTED BASIS AND IS NOT TO BE USED IN ANY WAY DETRIMENTAL TO THE INTERESTS OF PANDUIT CORP.

MARKINGS CORRESPOND TO THE VARIOUS LOCATIONS/ORIENTATIONS BRACKETS CAN BE MOUNTED



PANDUIT PART NO.	WEIGHT
PZLRB4U	11.60 LBS/EACH 5.27 kgs/EACH

NOTES:

- SEE CURRENT CATALOG FOR ADDITIONAL PART NUMBER SUFFIXES TO INDICATE COLOR AND OR PACKAGE QUANTITY.
- SEE CATALOG FOR COMPLETE LIST OF PARTS APPLICABLE FOR USE WITH THIS PART.
- DIMENSIONS IN PARENTHESES ARE IN METRIC.
- PART INCLUDES:
 - 1- MAIN BRACKET
 - 2- RECTANGULAR BRACKETS
 - 2- L-SHAPED ATTACHMENT BRACKETS
 - 6- 3-8/16 HEX SERRATED FLANGE NUTS
 - 6- 3-8/16 CARRIAGE BOLTS
 - 4- #12-24 SCREWS (4 PACK)
- CABLE MANAGEMENT OPTIONS:
 - BEND RADIUS POSTS (PZBR4)
 - VERTICAL D-RINGS (CMVDR2)

HOLES FOR ATTACHING CABLE MANAGEMENT PRODUCTS (SEE NOTE 5)

MODEL FILENAME	V10521AP/00
CAD FILENAME/LAYERS	V10521AP_DC/00A

PANDUIT CORP. TINLEY PARK, ILLINOIS

PANZONE OVERHEAD DISTRIBUTION RACK (PZLRB4U) CUSTOMER DRAWING

UNLESS OTHERWISE SPECIFIED, DIMENSIONAL TOLERANCES ARE:	UNLESS OTHERWISE SPECIFIED, ALL DIMENSIONS ARE GIVEN IN INCHES, THIRD ANGLE PROJECTION.
INCHES X.X +/- 0.03 X.XX +/- 0.015 X.XXX +/- 0.005	[METRIC - MILLIMETER] X +/- 0.8 X.X +/- 0.4 X.XX +/- 0.13 ANGLE +/- 1°

REV	DATE	BY	CHK	DESCRIPTION	ECN	R	CUST	SUP	OTH
OOA	6-6-11	PM	SRK	RELEASED TO PRODUCTION	V10521AP-DC				

DRAWN BY PM	MAT'L: N/A	SCALE 1:8
DATE 6-6-11		DRAWING NO. V10521AP-DC
CHK'D SRK		DWG A SIZE

