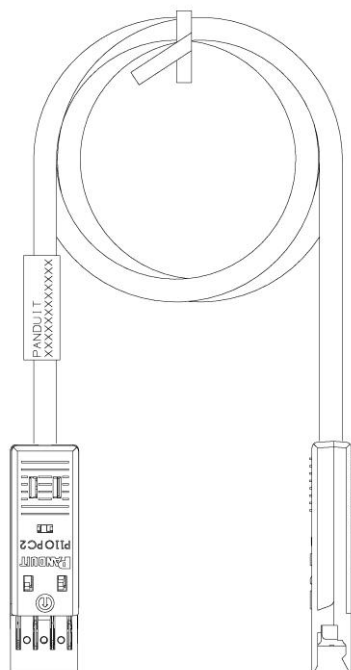


### Pan-Punch™ 110パッチコード 2ペア

Part Numbers: P110PC2IG■MY

©Panduit Corporation Japan Branch



## 製品仕様

電線仕様	対数	2 対
	対構造	導体より心線
コネクタ仕様	P110PC2	

## 環境性能

使用環境	使用温度範囲	-10 ~ +60 [°C]
	使用湿度範囲	25 ~ 85 [%] (結露なきこと)
	設置場所	事務所・住宅等の屋内のみ (水気・直射日光・機械的衝撃・過重等は厳禁)

## 規格

米国	ANSI/TIA-568B.2 カテゴリ 5 相等
----	---------------------------

**長さ** 詳細は別紙寸法図を参照(寸法はインチとなり、[ ]内はメートル表示です)

■ : 5 種類	.5 = 0.5 [m] , 1 = 1 [m] , 2 = 2 [m] , 3 = 3 [m] , 5 = 5 [m]
----------	--

## カラー

カラー	IG (グレー)
-----	----------

## 含有化学物質調査

調査項目	RoHS 対応済み	部品番号の末尾が Y
------	-----------	------------

版	制定	作成	承認
03	2013 年 1 月 7 日	猿渡	今野

#### 改版履歴

版数	改版日	変更内容	担当
01	2005.09.30	初版制定	山之内
02	2008.09.09	含有化学物質調査を追加	山之内
03	2013.1.7	規格項目更新	猿渡

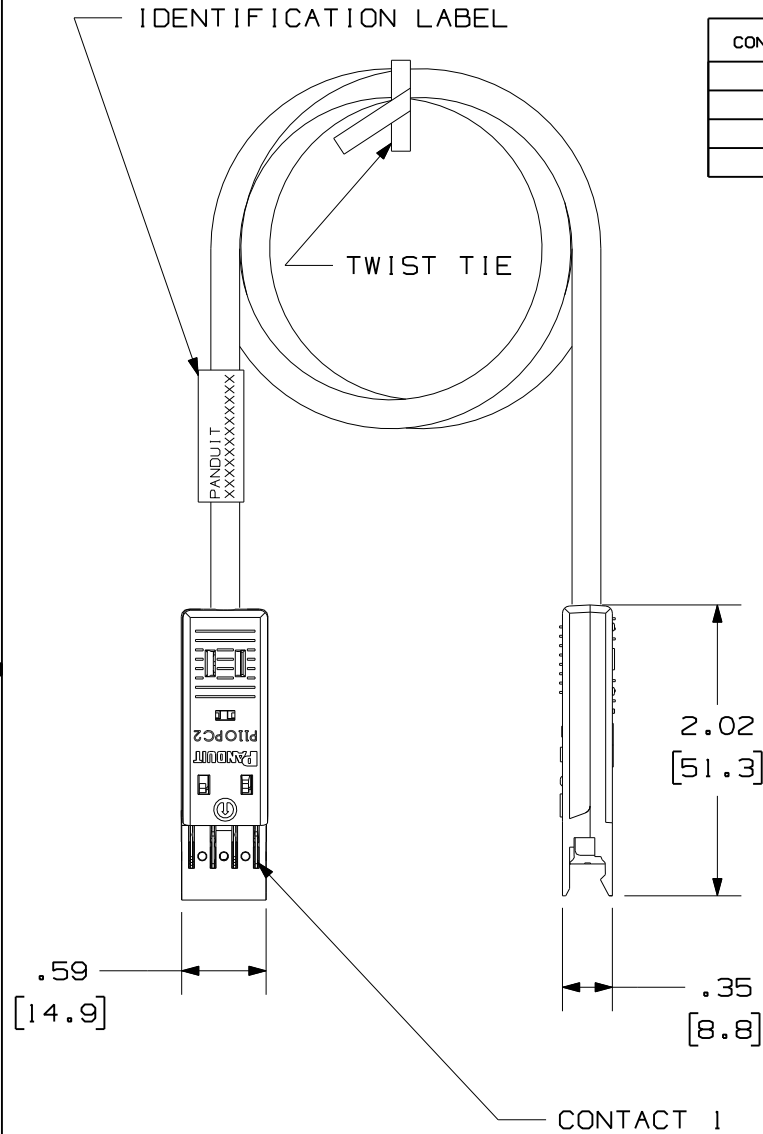
版	制定	作成	承認
03	2013年1月7日	猿渡	今野

THIS COPY IS PROVIDED ON A RESTRICTED BASIS AND IS NOT TO BE USED IN ANY WAY DETRIMENTAL TO THE INTERESTS OF PANDUIT CORP.

NOTES:

1. SEE CURRENT CATALOG FOR VARIOUS APPLICATIONS AND TO INDICATE PACKAGE QUANTITY.
2. 110 CONNECTORS ON BOTH ENDS. THE PATCH CORDS CAN BE USED WITH PAN-PUNCH™ 110 CONNECTING BLOCKS.
3. FEATURES INCLUDE A CLEAR CAP TO ENSURE PROPER WIRE SEQUENCE AND CONNECTOR ORIENTATION. RETAINING CLIPS SECURE THE JACKET CLOSE TO THE POINT OF TERMINATION WHICH MINIMIZES WIRE UNTWISTING. INTEGRAL STRAIN RELIEF MINIMIZES STRESS ON WIRES DURING DISCONNECTION.
4. POLARIZED TO PREVENT REVERSE INSTALLATION TO CONNECTOR BLOCK.
5. CATEGORY 5 UNSHIELDED TWISTED PAIR CABLE WITH 24AWG STRANDED TINNED COPPER CONDUCTORS.
6. DIMENSIONS IN PARENTHESES ARE IN METRIC.

CONTACT	CABLE WIRE COLOR
1	WHITE/BLUE
2	BLUE
3	WHITE/ORANGE
4	ORANGE



PANDUIT P/N	MIN. CABLE LENGTH	WEIGHT
P110PC21G2Y	2 FT.	.45 LB/10 PCS (210.8 g/10 PCS)
P110PC21G3Y	3 FT.	.57 LB/10 PCS (266.7 g/10 PCS)
P110PC21G4Y	4 FT.	.70 LB/10 PCS (322.6 g/10 PCS)
P110PC21G5Y	5 FT.	.82 LB/10 PCS (378.5 g/10 PCS)
P110PC21G6Y	6 FT.	.94 LB/10 PCS (434.4 g/10 PCS)
P110PC21G7Y	7 FT.	1.06 LB/10 PCS (490.3 g/10 PCS)
P110PC21G8Y	8 FT.	1.18 LB/10 PCS (546.2 g/10 PCS)
P110PC21G9Y	9 FT.	1.30 LB/10 PCS (602.1 g/10 PCS)
P110PC21G12Y	12 FT.	1.66 LB/10 PCS (769.8 g/10 PCS)
P110PC21G15Y	15 FT.	2.02 LB/10 PCS (937.5 g/10 PCS)
P110PC21G18Y	18 FT.	2.38 LB/10 PCS (1093.5 g/10 PCS)
P110PC21G.5MY	.5M	.41 LB/10 PCS (190.7 g/10 PCS)
P110PC21G1MY	1M	.81 LB/10 PCS (374.1 g/10 PCS)
P110PC21G1.5MY	1.5M	.81 LB/10 PCS (374.1 g/10 PCS)
P110PC21G2MY	2M	1.00 LB/10 PCS (465.8 g/10 PCS)
P110PC21G3MY	3M	1.40 LB/10 PCS (649.2 g/10 PCS)
P110PC21G4MY	4M	1.79 LB/10 PCS (832.6 g/10 PCS)
P110PC21G5MY	5M	2.21 LB/10 PCS (1027.2g/10 PCS)
P110PC21G6MY	6M	2.58 LB/10 PCS (1199.4g/10 PCS)

SIZE

A

DRAWING FILENAME: M02479JR\_DC254\_00A.PRT

TITLE: CATEGORY 5 110 PATCHCORD CUSTOMER DRAWING

**PANDUIT** CORP.  
TINLEY PARK, IL 60477

ALL DIMENSIONS ARE GIVEN IN INCHES, UNLESS OTHERWISE SPECIFIED.  
DIMENSIONAL TOLERANCES ARE:  
(.X) ±.03(.8) (.XXX) ±.010(.3)  
(.XX) ± ANGLES ±

THIRD ANGLE PROJECTION  
DRAWN BY: NER  
DATE: 3-20-06  
CHECK'D:  
REVIEW DRAWING NUMBERS:  
PART NO.: P110PC2\*\*\*\*Y  
DRAWING NO.: 02479-254

REV	DATE	BY	CHK	DESCRIPTION	ECN	R	CUST	SUP	OTH
R	3-20-06	NER		RELEASED TO PRODUCTION.	02479-254				