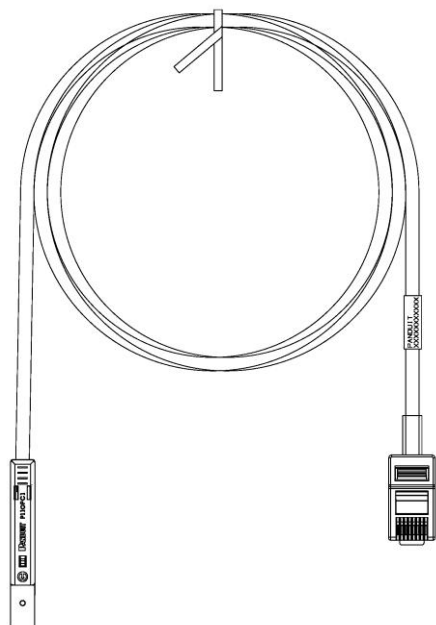


Pan-Punch™ 110-RJ45パッチコード 1ペア

Part Numbers: P110PC1IGD■MY

©Panduit Corporation Japan Branch



110 側	
1	青 / 白
2	青

RJ45 側	
1	
2	
3	
4	青
5	青 / 白
6	
7	
8	

製品仕様

電線仕様	対数	1 対
	対構造	導体より心線
コネクタ仕様	P110PC1	110 側
	MP588	RJ45 側

環境性能

使用環境	使用温度範囲	-10 ~ +60 [°C]
	使用湿度範囲	25 ~ 85 [%] (結露なきこと)
	設置場所	事務所・住宅等の屋内のみ (水気・直射日光・機械的衝撃・過重等は厳禁)

規格

米国	ANSI/TIA-568B.2 カテゴリ 3 相等
----	---------------------------

長さ 詳細は別紙寸法図を参照(寸法はインチとなり、[]内はメートル表示です)

■ : 4 種類	1 = 1 [m] , 2 = 2 [m] , 3 = 3 [m] , 5 = 5 [m]
----------	---

カラー

カラー	IG (グレー)
-----	----------

含有化学物質調査

調査項目	RoHS 対応済み	部品番号の末尾が Y
------	-----------	------------

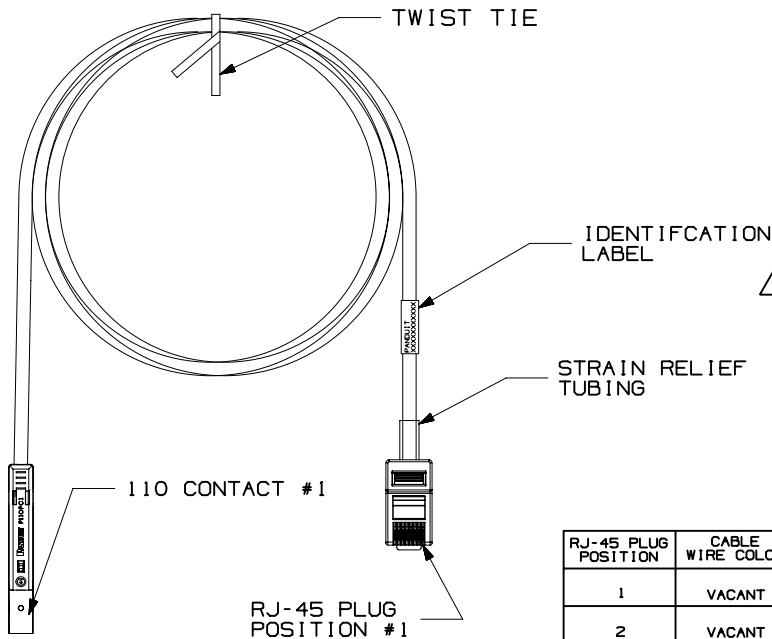
版	制定	作成	承認
03	2013 年 1 月 7 日	猿渡	今野

改版履歴

版数	改版日	変更内容	担当
01	2005.09.30	初版制定	山之内
02	2008.09.11	含有化学物質調査を追加	山之内
03	2013.1.7	規格項目更新	猿渡

版	制定	作成	承認
03	2013年1月7日	猿渡	今野

THIS COPY IS PROVIDED ON A RESTRICTED BASIS AND IS NOT TO BE USED IN ANY WAY DETRIMENTAL TO THE INTERESTS OF PANDUIT CORP.



PANDUIT P/N	MIN. CABLE LENGTH	WEIGHT
P110PC1**D1M	39.37" (1 METER)	.46 LB/10 PCS (209 g/10 PCS)
P110PC1**D2M	68.74" (2 METER)	.77 LB/10 PCS (350 g/10 PCS)
P110PC1**D3M	118.11" (3 METER)	1.11 LB/10 PCS (505 g/10 PCS)
P110PC1**D5M	196.85" (5 METER)	1.67 LB/10 PCS (759 g/10 PCS)

A

- NOTES:
- SEE CURRENT CATALOG FOR ADDITIONAL PART NUMBER SUFFIXES TO INDICATE PACKAGE QUANTITY.
 - SEE CATALOG FOR COMPLETE LIST OF PARTS APPLICABLE FOR USE WITH THIS PART.
 - 110 CONNECTOR ON ONE END AND AN RJ-45 MODULAR PLUG ON THE OTHER FOR USE IN DIGITAL APPLICATIONS.
 - 110 CONNECTOR FEATURES INCLUDE A CLEAR CAP TO ENSURE PROPER CONNECTOR ORIENTATION. RETAINING CLIPS SECURE THE JACKET CLOSE TO THE POINT OF TERMINATION WHICH MINIMIZES WIRE UNTWISTING. INTEGRAL STRAIN RELIEF MINIMIZES STRESS ON WIRES DURING DISCONNECTION.
 - RJ-45 PLUG FEATURES INCLUDE A TANGLE-FREE RELEASE AND ENHANCED CABLE STRAIN RELIEF.
 - MATERIALS:
 - 110 CONNECTOR - PC, PHOS. BRONZE CONTACTS
 - RJ-45 PLUG - PC, PHOS. BRONZE CONTACTS
 - CABLE - STRANDED 24 AWG COPPER WITH PVC JACKET
 - STRAIN RELIEF TUBING - PVC COMPOUND
 - DIMENSIONS IN PARENTHESES ARE IN METRIC.
 - CABLE JACKET COLOR: GREY

B

110 CONTACT	CABLE WIRE COLOR
1	WHITE/BLUE
2	BLUE

RJ-45 PLUG POSITION	CABLE WIRE COLOR
1	VACANT
2	VACANT
3	VACANT
4	BLUE
5	WHITE/BLUE
6	VACANT
7	VACANT
8	VACANT

CAD FILENAME/LAYERS M00570BA_DC_00B.PRT

PANDUIT CORP. TINLEY PARK, ILLINOIS

110 TO RJ-45 ONE PAIR PATCH CORD (P110PC1**DXX) CUSTOMER DRAWING

UNLESS OTHERWISE SPECIFIED, DIMENSIONAL TOLERANCES ARE:
 (.X) ± (.XXX) ±.010(.3)
 (.XX) ±.03(.8) ANGLES ±

UNLESS OTHERWISE SPECIFIED, ALL DIMENSIONS ARE GIVEN IN INCHES, THIRD ANGLE PROJECTION.

REV	DATE	BY	CHK	DESCRIPTION	ECN	CHK	CUST	SUP
01	7-11-00	LZ		B. ADDED NOTE 8 A. IN NOTE 1 REMOVED "COLOR AND OR"	00570-05			
R	5-11-99	JBA	FJDU	RELEASED TO PRODUCTION.	00570-05	CVM		

DRAWN BY JBA	MAT'L: SEE NOTES	SCALE NONE
DATE 5-11-99		DRAWING NO. 00570-05
CHECKED BY FJDU		DWG A SIZE