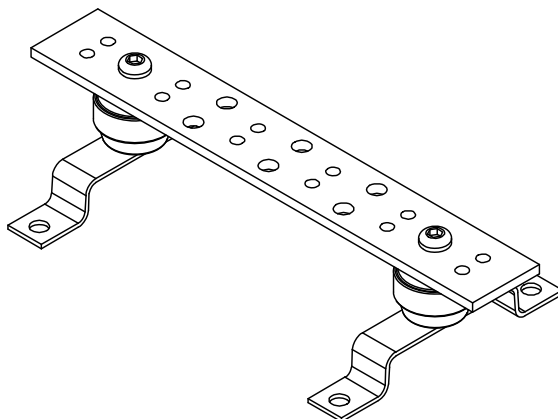


通信用メインランディングバスバー端子台 (TGB)

Part Numbers: GB2B0304TPI-1, GB2B0306TPI-1,
GB2B0312TPI-1

©Panduit Corporation Japan Branch



製品仕様

材質	銅板、錫メッキ
----	---------

環境性能

使用環境	使用温度範囲	-10 ~ +60 [°C]
	使用湿度範囲	25 ~ 85 [%] (結露なきこと)
	設置場所	事務所・住宅等の屋内のみ (水気・直射日光・機械的衝撃・過重等は厳禁)

規格

米国	ANSI/J-STD-607-A、BICSI TDMM
----	-----------------------------

寸法 詳細は別紙寸法図を参照(寸法はインチとなります)

部品番号	バスバー寸法 [mm]			取り付けネジ穴数	
	幅	高さ	厚み	5/8 インチ(15.86[mm])間隔 1/4 インチ(7.9[mm]) スタッド穴	1 インチ(25.4[mm])間隔 3/8 インチ(11.2[mm]) スタッド穴
GB2B0304TPI-1	254.0	69.9	6.4	4	3
GB2B0306TPI-1	304.8	69.9	6.4	6	3
GB2B0312TPI-1	508.0	69.9	6.4	12	3

カラー

カラー	(シルバー)
-----	--------

構成品

構成品	バスバー、ブラケット、絶縁部、組立ネジ ※これら構成品は組み立てた状態での納入となります
-----	---

版	制定	作成	承認
01	2012年12月21日	猿渡	今野

通信用メイングランディングバスバー端子台 (TGB)

Part Numbers: GB2B0304TPI-1, GB2B0306TPI-1,
GB2B0312TPI-1

©Panduit Corporation Japan Branch

含有化学物質調査

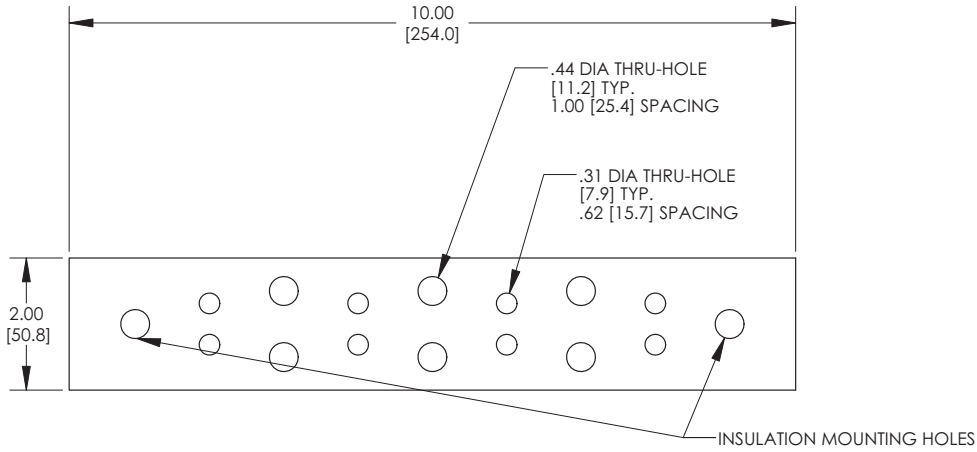
調査項目	RoHS対応済み	現用品
------	----------	-----

改版履歴

版数	改版日	変更内容	担当
01	2012.12.21	初版制定	猿渡

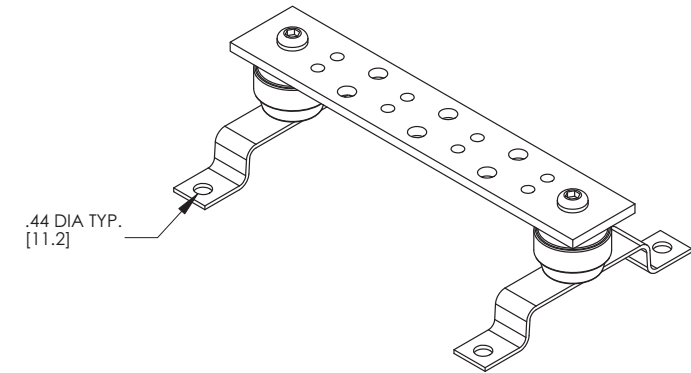
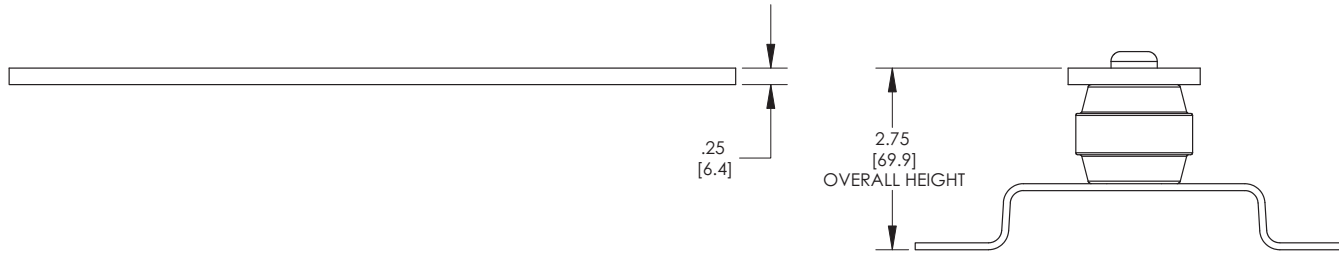
版	制定	作成	承認
01	2012年12月21日	猿渡	今野

THIS COPY IS PROVIDED ON A RESTRICTED BASIS AND IS NOT TO BE USED IN ANY WAY DETRIMENTAL TO THE INTERESTS OF PANDUIT CORP.



NOTES:

1. KIT COMES FULLY ASSEMBLED
2. KIT INCLUDES BUSBAR, MOUNTING BRACKETS, INSULATORS, AND MOUNTING HARDWARE.
3. MEETS BICSI/J-STD-607-A
4. DIMENSIONS IN PARENTHESIS ARE MILLIMETERS.



ASSEMBLED AS SHOWN

REV	DATE	BY	CHK	DESCRIPTION	ECN	-R	SUP	CHK'D
04	12/10	JHNU	JHNU	REVISED AGENCY LOGO	N41504BA-C41504	FLD	FLD	
03	11/08	JHNU	JHNU	REVISED DRAWING LAYOUT, REMOVED BRACKET VIEWS				
---	-----	----	----	CONVERTED DRAWING TO SOLIDWORKS REVISED BUSBAR BRACKET GEOMETRY REVISED DRAWING TO CURRENT STANDARD				
02	11/08	JHNU	DWDA	REVISED DRAWING TO CURRENT STANDARD				
---	-----	----	----	REVISED HEIGHT DIMENSION: 1.00 WAS 1.50 ADDED NOTE 3 ADDED OVERALL HEIGHT DIMENSION TO ISO VIEW				
01	9/06	JHNU	LEM					
00	2/05	JHNU	LEM	DRAWING RELEASED				

PANDUIT CORP. TINLEY PARK, ILLINOIS

GROUNDING BUSBAR (GB2B0304TPI) CUSTOMER DRAWING

UNLESS OTHERWISE SPECIFIED, DIMENSIONAL TOLERANCES ARE:
(X) ± (XXX) ± (XX) ± ANGLES ±

UNLESS OTHERWISE SPECIFIED, ALL DIMENSIONS ARE GIVEN IN INCHES, THIRD ANGLE PROJECTION

SCALE NONE

DRAWN BY JHNU DATE 2/05

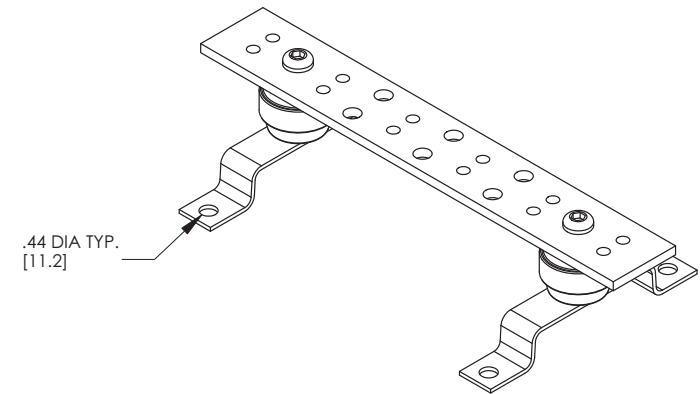
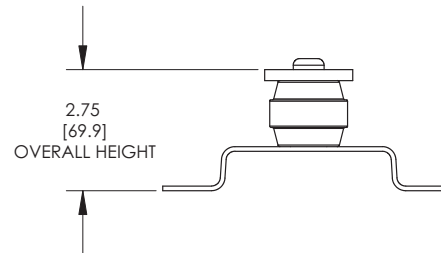
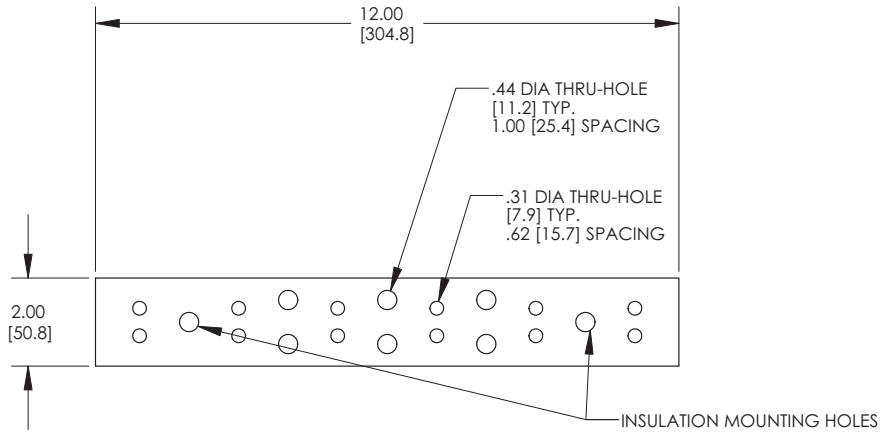
MAT'L:

DRAWING NO / CAD FILE C41504_04 DWG B SIZE

THIS COPY IS PROVIDED ON A RESTRICTED BASIS AND IS NOT TO BE USED IN ANY WAY DETRIMENTAL TO THE INTERESTS OF PANDUIT CORP.

NOTES:

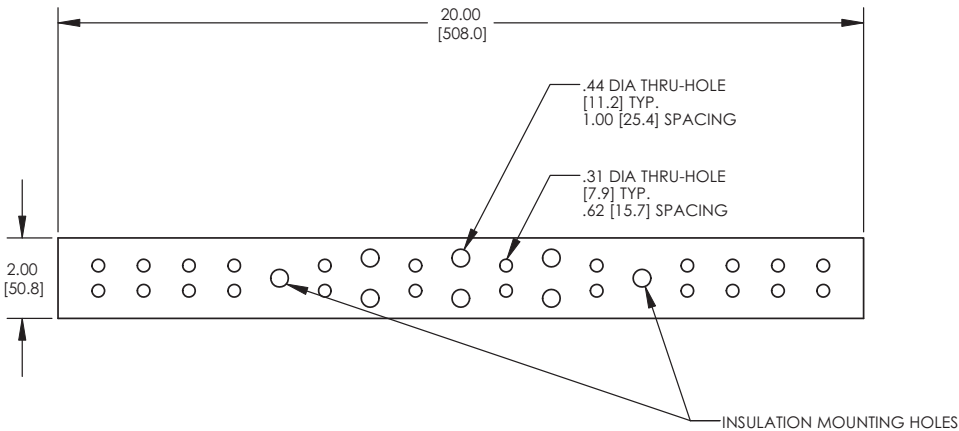
1. KIT COMES FULLY ASSEMBLED
2. KIT INCLUDES BUSBAR, MOUNTING BRACKETS, INSULATORS, AND MOUNTING HARDWARE.
3. MEETS BICSI/J-STD-607-A
4. DIMENSIONS IN PARENTHESIS ARE MILLIMETERS.



ASSEMBLED AS SHOWN

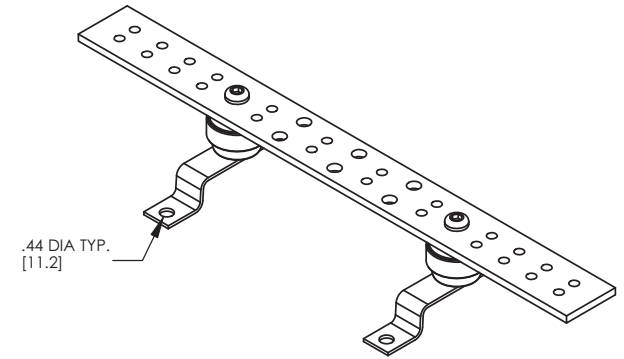
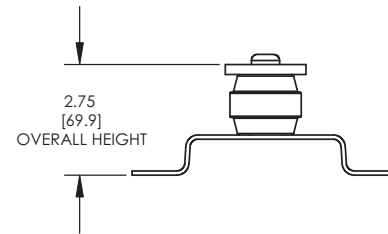
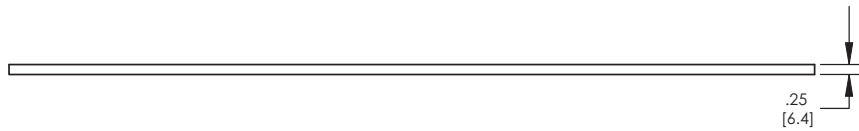
04	12/10	JHNU	JHNU	REVISED AGENCY LOGO	N415058A-C41505	FLD	FLD	<p>PANDUIT CORP. TINLEY PARK, ILLINOIS</p> <p>GROUNDING BUSBAR (GB2B0306TPI) CUSTOMER DRAWING</p> <p>UNLESS OTHERWISE SPECIFIED, DIMENSIONAL TOLERANCES ARE: (.X) ± (.XXX) ± (.XX) ± ANGLES ±</p> <p>UNLESS OTHERWISE SPECIFIED, ALL DIMENSIONS ARE GIVEN IN INCHES, THIRD ANGLE PROJECTION</p> <p>SCALE NONE</p> <p>DRAWN BY JHNU MAT'L: DATE 2/05</p> <p>DRAWING NO / CAD FILE DWG C41505_04 B SIZE</p>
03	11/08	JHNU	JHNU	REVISED DRAWING LAYOUT, REMOVED BRACKET VIEWS				
---	---	---	---	CONVERTED DRAWING TO SOLIDWORKS REVISED BUSBAR BRACKET GEOMETRY				
02	11/08	JHNU	DWDA	REVISED DRAWING TO CURRENT STANDARD				
---	---	---	---	REVISED HEIGHT DIMENSION: 1.00 WAS 1.50 ADDED NOTE 3 ADDED OVERALL HEIGHT DIMENSION TO ISO VIEW				
01	9/06	JHNU	LEM					
00	2/05	JHNU	LEM	DRAWING RELEASED				
REV	DATE	BY	CHK	DESCRIPTION	ECN	SUP	CHK'D	

THIS COPY IS PROVIDED ON A RESTRICTED BASIS AND IS NOT TO BE USED IN ANY WAY DETRIMENTAL TO THE INTERESTS OF PANDUIT CORP.



NOTES:

1. KIT COMES FULLY ASSEMBLED
2. KIT INCLUDES BUSBAR, MOUNTING BRACKETS, INSULATORS, AND MOUNTING HARDWARE.
3. MEETS BICSI/J-STD-607-A
4. DIMENSIONS IN PARENTHESIS ARE MILLIMETERS.



ASSEMBLED AS SHOWN

REV	DATE	BY	CHK	DESCRIPTION	ECN	-R	SUP	CHK'D
04	12/10	JHNU	JHNU	REVISED AGENCY LOGO	N41506BA-C41506	FLD	FLD	
03	11/08	JHNU	JHNU	REVISED DRAWING LAYOUT, REMOVED BRACKET VIEWS				
---	-----	---	----	CONVERTED DRAWING TO SOLIDWORKS REVISED BUSBAR BRACKET GEOMETRY REVISED DRAWING TO CURRENT STANDARD				
02	11/08	JHNU	DWDA	REVISED HEIGHT DIMENSION: 1.00 WAS 1.50 ADDED NOTE 3 ADDED OVERALL HEIGHT DIMENSION TO ISO VIEW				
01	9/06	JHNU	LEM	DRAWING RELEASED				
00	2/05	JHNU	LEM	DRAWING RELEASED				

PANDUIT CORP. TINLEY PARK, ILLINOIS	
GROUNDING BUSBAR (GB2B0312TPI) CUSTOMER DRAWING	
UNLESS OTHERWISE SPECIFIED DIMENSIONAL TOLERANCES ARE: (.X) ± .XXX (.XX) ± .XXX ANGLES ±	UNLESS OTHERWISE SPECIFIED, ALL DIMENSIONS ARE GIVEN IN INCHES, THIRD ANGLE PROJECTION
DRAWN BY: JHNU DATE: 2/05	SCALE: NONE
MAT'L:	DRAWING NO / CAD FILE: C41506_04
	DWG SIZE: B