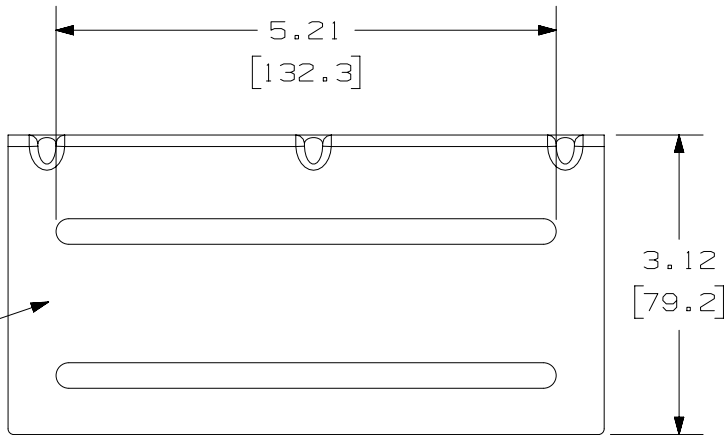


THIS COPY IS PROVIDED ON A RESTRICTED BASIS AND IS NOT TO BE USED IN ANY WAY DETRIMENTAL TO THE INTERESTS OF PANDUIT CORP.

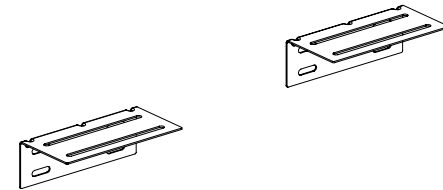
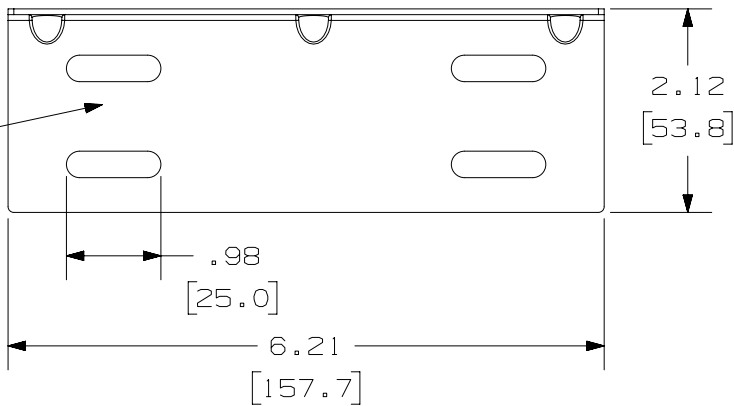
NOTES:

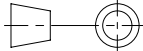
1. VISIT OUR ON-LINE CATALOG AT WWW.PANDUIT.COM FOR A LIST OF CURRENT PARTS APPLICABLE FOR USE WITH THIS PRODUCT.
2. DIMENSIONS IN [] ARE METRIC.
3. ALL MATERIALS AND COMPONENTS USED MEET THE MATERIAL RESTRICTIONS OF RoHS (EUROPEAN DIRECTIVE 2011/65/EU ON THE RESTRICTION OF HAZARDOUS SUBSTANCES) AS PROPOSED BY THE RoHS TECHNICAL ADAPTATION COMMITTEE.
4. REFERENCE FS171* FOR INSTALLATION INSTRUCTIONS.
5. PART NUMBER INCLUDES 2 BRACKETS.
6. USE PWBHK** FOR FASTENING TO BASKET.

LONG SLOTS ARE USED TO MOUNT BASKET TO BRACKET.



SHORT SLOTS ARE USED TO MOUNT BRACKET TO WALL



PART NUMBER		PWBWMW**		
TITLE		PANDUIT WIRE BASKET WALL TERMINATION BRACKET, WIDE		
		CUSTOMER DRAWING		
ITEM REVISION NAME		00510JAF/00		
DATASET FILE NAME		00510JAF_DC/00A		
		THIRD ANGLE PROJECTION		
MATERIAL		C.R.S.		
		DRAWING NUMBER		
		00510JAF-DC		
REV	DATE	BY	CHK	APR
00A	12/15/20	JSP	DWW	ML
INITIAL RELEASE				
DESCRIPTION				
ECN				
DRAWN BY		DATE	CHK	SCALE
JSP		12/15/20	DWW	NONE
SHEET 1 OF 1				SIZE
				A

A-SIZE CUSTOMER

2

1

2

1