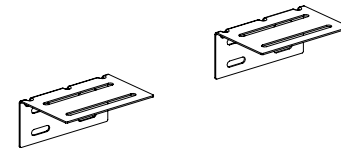
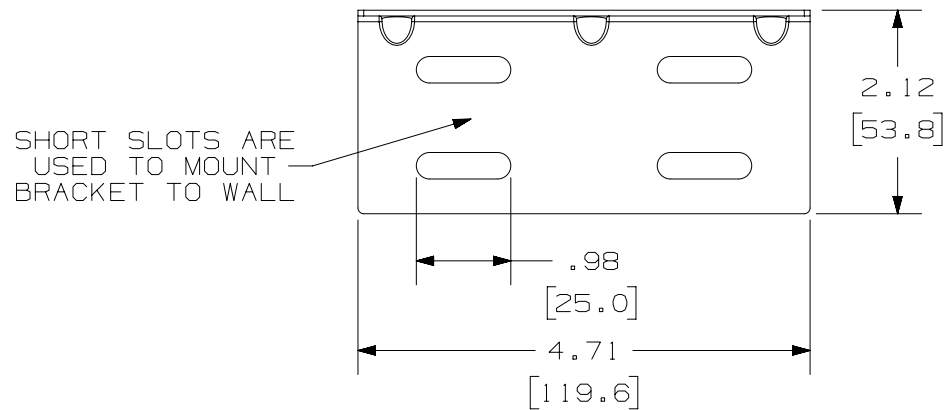
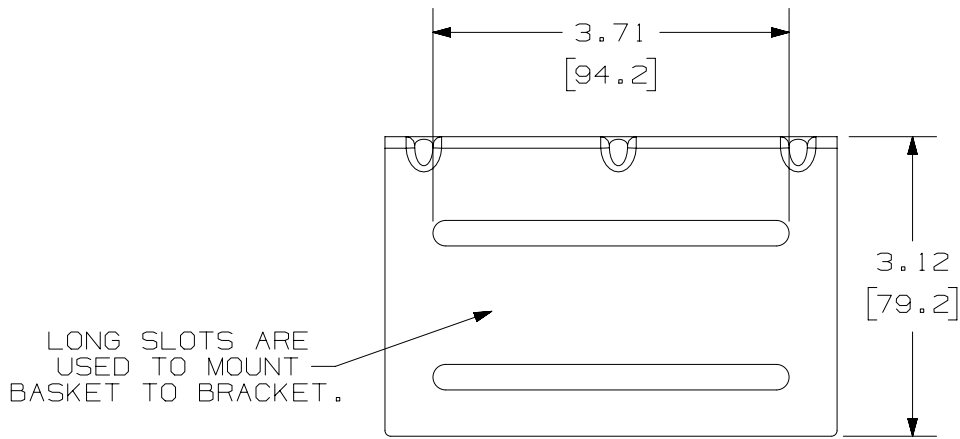
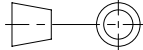


THIS COPY IS PROVIDED ON A RESTRICTED BASIS AND IS NOT TO BE USED IN ANY WAY DETRIMENTAL TO THE INTERESTS OF PANDUIT CORP.

NOTES:

1. VISIT OUR ON-LINE CATALOG AT WWW.PANDUIT.COM FOR A LIST OF CURRENT PARTS APPLICABLE FOR USE WITH THIS PRODUCT.
2. DIMENSIONS IN [] ARE METRIC.
3. ALL MATERIALS AND COMPONENTS USED MEET THE MATERIAL RESTRICTIONS OF RoHS (EUROPEAN DIRECTIVE 2011/65/EU ON THE RESTRICTION OF HAZARDOUS SUBSTANCES) AS PROPOSED BY THE RoHS TECHNICAL ADAPTATION COMMITTEE.
4. REFERENCE FS171* FOR INSTALLATION INSTRUCTIONS.
5. PART NUMBER INCLUDES 2 BRACKETS.
6. USE PWBHK** FOR FASTENING TO BASKET.



PART NUMBER		PWBWMN**		
TITLE				
PANDUIT WIRE BASKET WALL TERMINATION BRACKET, NARROW				
CUSTOMER DRAWING				
ITEM REVISION NAME		00510JAA/00		
DATASET FILE NAME		00510JAA_DC/00A		
		THIRD ANGLE PROJECTION		
MATERIAL		C.R.S.		
DRAWING NUMBER		00510JAA-DC		
REV	DATE	BY	CHK	APR
00A	12/15/20	JSP	DWW	ML
DESCRIPTION		ECN		
INITIAL RELEASE		00510JAA-DC		
REV	DATE	BY	CHK	APR
00A	12/15/20	JSP	DWW	ML
DESCRIPTION		ECN		
INITIAL RELEASE		00510JAA-DC		
REV	DATE	BY	CHK	APR
00A	12/15/20	JSP	DWW	ML
DESCRIPTION		ECN		
INITIAL RELEASE		00510JAA-DC		
DRAWING NUMBER		00510JAA-DC		
SHEET 1 OF 1		A		

A-SIZE CUSTOMER