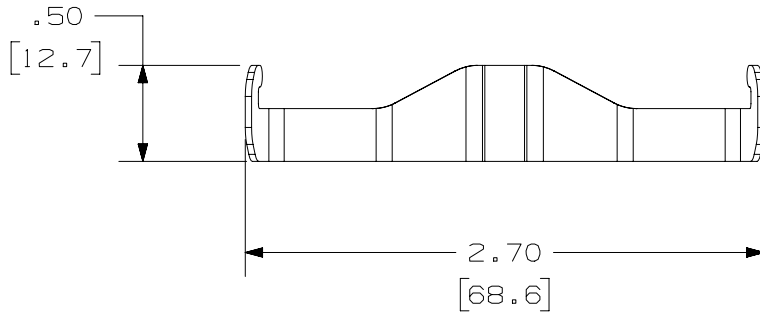
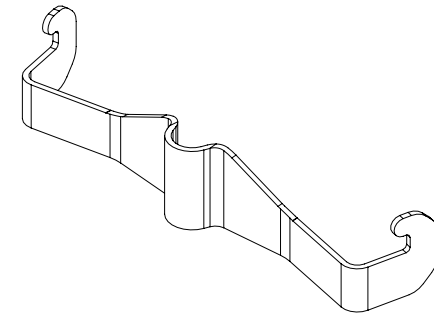
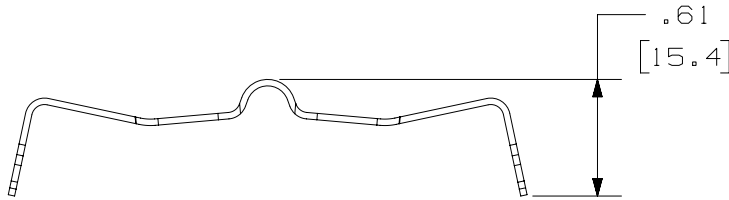


THIS COPY IS PROVIDED ON A RESTRICTED BASIS AND IS NOT TO BE USED IN ANY WAY DETRIMENTAL TO THE INTERESTS OF PANDUIT CORP.

PANDUIT PART NUMBER	WEIGHT
PWBSCEZ	5.0 LB/EACH 2.27 kg/EACH

NOTES:

- VISIT OUR ON-LINE CATALOG AT WWW.PANDUIT.COM FOR A LIST OF CURRENT PARTS APPLICABLE FOR USE WITH THIS PRODUCT.
- DIMENSIONS IN [ ] ARE METRIC.
- ALL MATERIALS AND COMPONENTS USED MEET THE MATERIAL RESTRICTIONS OF RoHS (EUROPEAN DIRECTIVE 2011/65/EU ON THE RESTRICTION OF HAZARDOUS SUBSTANCES) AS PROPOSED BY THE RoHS TECHNICAL ADAPTATION COMMITTEE.
- PART INCLUDES:  
50- STRUT CLIPS



PART NUMBER		PWBSCEZ		
TITLE		WIRE BASKET STRUT CLIP		
		CUSTOMER DRAWING		
ITEM REVISION NAME		00510BAB/06		
DATASET FILE NAME		00510BAB_DC/06B		
		THIRD ANGLE PROJECTION		
MATERIAL		ZINC PLATED STEEL		
DRAWING NUMBER		00510BAB-DC		
REV	DATE	BY	CHK	SCALE
06B	04-08-21	SAT	PJST	NONE
06A	03-22-21	SAT	PJST	NONE
DESCRIPTION		SHEET 1 OF 1		
ECN		A		

06B	04-08-21	SAT	PJST	ML	B. ADDED NOTE 4. C. UPDATED WEIGHT. A. TITLE WAS WIRE BASKET RETAINING CLIP.	00510BAB-DC
06A	03-22-21	SAT	PJST	ML	INITIAL RELEASE	00510BAB-DC
REV	DATE	BY	CHK	APR	DESCRIPTION	ECN