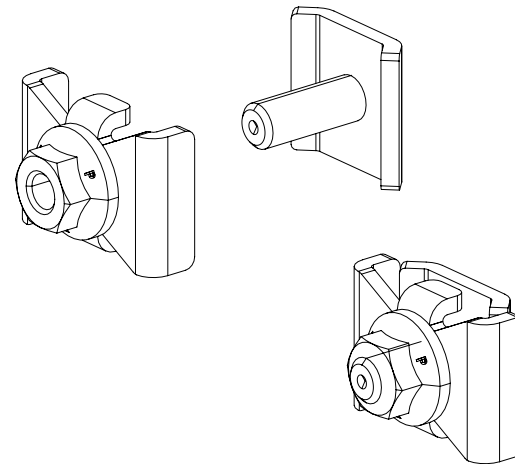
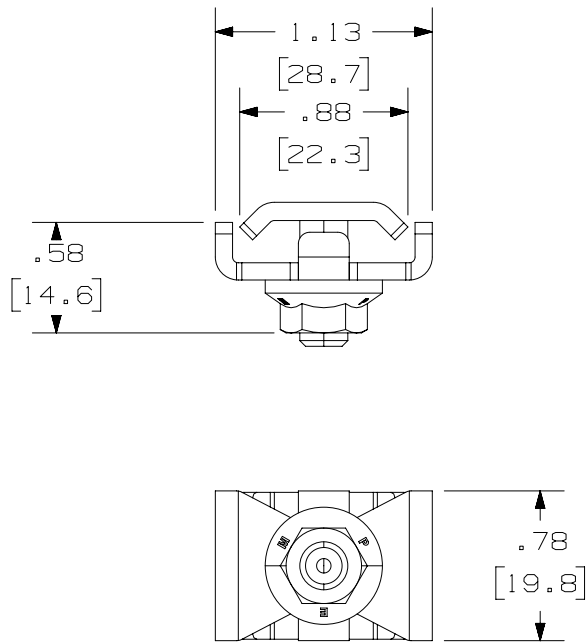


THIS COPY IS PROVIDED ON A RESTRICTED BASIS AND IS NOT TO BE USED IN ANY WAY DETRIMENTAL TO THE INTERESTS OF PANDUIT CORP.

NOTES:

1. VISIT OUR ON-LINE CATALOG AT WWW.PANDUIT.COM FOR A LIST OF CURRENT PARTS APPLICABLE FOR USE WITH THIS PRODUCT.
2. DIMENSIONS IN [] ARE METRIC.
3. ALL MATERIALS AND COMPONENTS USED MEET THE MATERIAL RESTRICTIONS OF RoHS (EUROPEAN DIRECTIVE 2011/65/EU ON THE RESTRICTION OF HAZARDOUS SUBSTANCES) AS PROPOSED BY THE RoHS TECHNICAL ADAPTATION COMMITTEE.
4. PART INCLUDES:
50- C-CLIPS W/STUD
50- JOINER CLIP WITH SPINNING NUT



PART NUMBER		PWBSPLBL, PWBSPLEZ		
TITLE		PANDUIT WIRE BASKET BOLT-ON SPLICE, 50-PACK		
ITEM REVISION NAME		CUSTOMER DRAWING		
DATASET FILE NAME		00510END_DC/00A		
MATERIAL		ZINC PLATED CRS		
DRAWN BY		DATE	CHK	SCALE
SAT		03-12-21	JGD	NONE
DRAWING NUMBER		00510END-DC		
SHEET 1 OF 1		A		

00A	03-12-21	SAT	JGD	ML	INITIAL RELEASE	00510END-DC
REV	DATE	BY	CHK	APR	DESCRIPTION	ECN

2

1

2

1

B

B

A

A

A-SIZE CUSTOMER