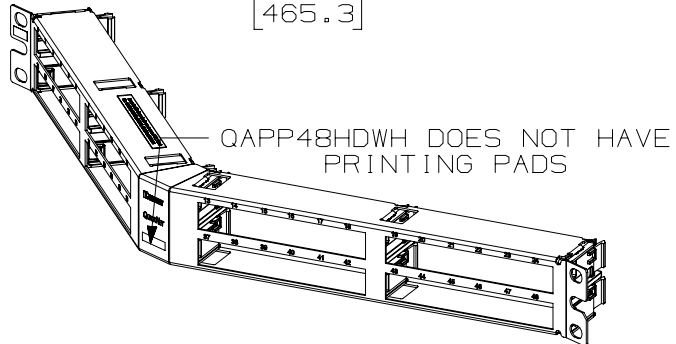
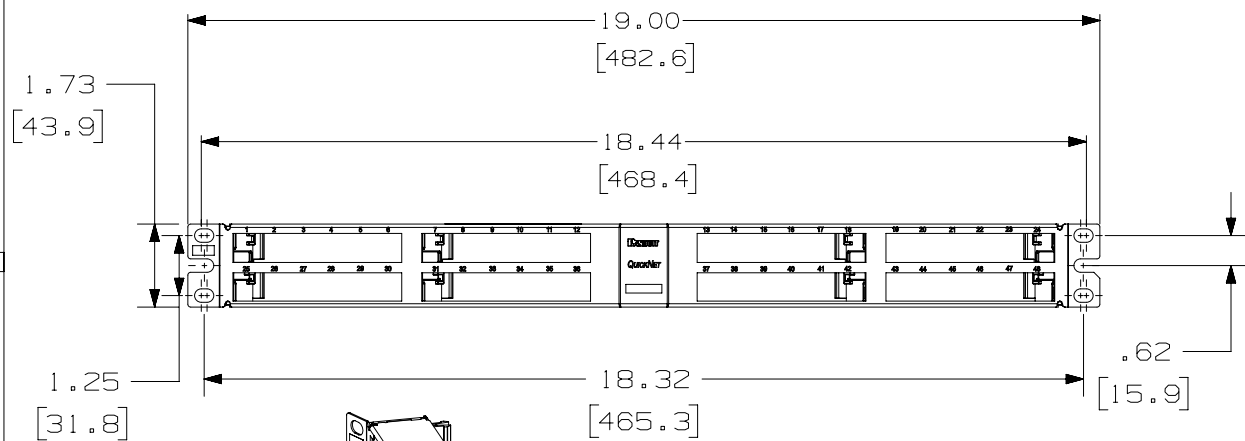
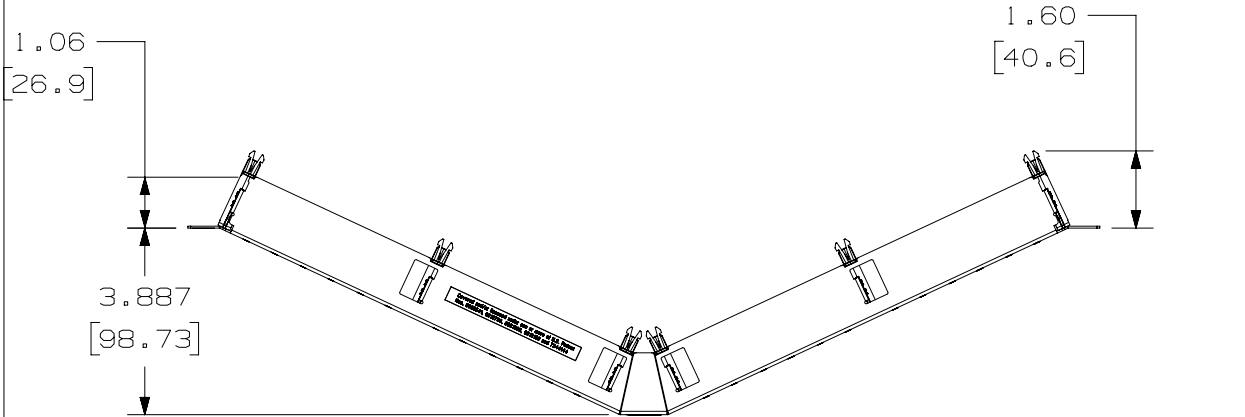


THIS COPY IS PROVIDED ON A RESTRICTED BASIS AND IS NOT TO BE USED IN ANY WAY DETRIMENTAL TO THE INTERESTS OF PANDUIT CORP.



PANDUIT PART NO.	WEIGHT (APPOX.)
QAPP48HDBL	0.65 lb (294.8 g)
QAPP48HDWH	0.65 lb (294.8 g)

- NOTES:
- SEE CURRENT CATALOG FOR VARIOUS APPLICATIONS.
 - THE PATCH PANEL IS DESIGNED FOR MOUNTING TO 19" UNIVERSAL RACKS.
 - DIMENSIONS IN BRACKETS ARE IN METRIC.
 - PART INCLUDES:
 - 1- METAL STAMPING WITH SLIDE GUIDES
 - 1- SCREW KIT (INCLUDES FOUR #12-24 SCREWS)
 - 1- SCREW KIT (INCLUDES FOUR M6 SCREWS)
 - QAPP48HDBL IS BLACK WITH WHITE SILKSCREENING.
QAPP48HDWH IS WHITE WITH WHITE SILKSCREENING.

PART NUMBER		QAPP48HDBL/QAPP48HDBL	
TITLE			
QUICKNET 48 PORT ANGLED PATCH PANEL		CUSTOMER DRAWING	
ITEM REVISION NAME			
M02582BS/11		PANDUIT	
DATASET FILE NAME			
M02582BS_DC20/11A		MATERIAL:	
UNLESS OTHERWISE SPECIFIED, DIMENSIONAL TOLERANCES ARE: IN (mm)		PANEL CRS	
.x ± .xxx ± .010 (.8)		GUIDES ABS	
.xx ± .03 (.8) ANGLES ±		DRAWING NUMBER:	
THIRD ANGLE PROJECTION		02582-20	
DRAWN BY	DATE	CHK	SCALE
MDJr	9-01-06	WFMI	NONE
REV	DATE	BY	CHK
3	1/26/18	BAME	KRKE
2	5/23/14	JSP	REFR
APR			
DESCRIPTION		ECN	
ADDED P/N QAPP48HDWH		M09000HA	
REVISED AND REDRAWN, PREVIOUS REVISIONS HAVE BEEN OMITTED.		02582-20	
SHT 1 OF 1		A	

D10100DA/14