

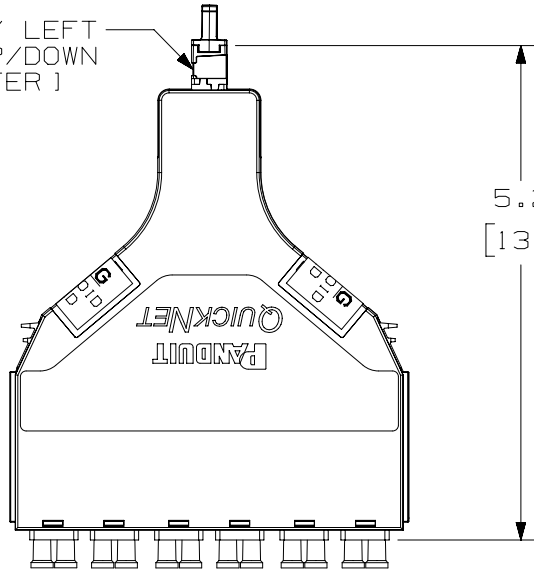
THIS COPY IS PROVIDED ON A RESTRICTED BASIS AND IS NOT TO BE USED IN ANY WAY DETRIMENTAL TO THE INTERESTS OF PANDUIT CORP.

FIBER POSITION
1 2 3 4 5 6 7 8 9 10 11 12



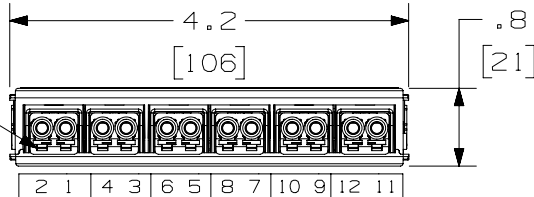
LEFT VIEW

MPO KEY LEFT
[KEY UP/DOWN
ADAPTER]



TOP VIEW

5.2
[131]



LC CONNECTOR
LATCH DOWN

LC PORT POSITION

2 1 | 4 3 | 6 5 | 8 7 | 10 9 | 12 11

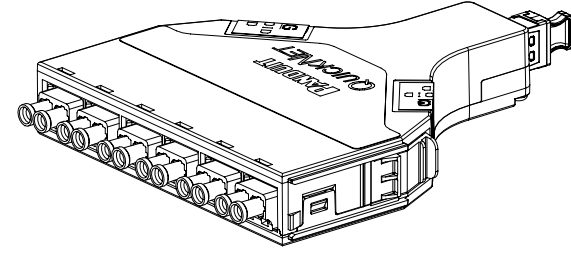
4.2
[106]

.8
[21]

UNIVERSAL 12F - CASSETTE (U)												
MPO END / LC END	FIBER POSITION FROM MPO END TO LC END											
MPO POSITION	1	12	2	11	3	10	4	9	5	8	6	7
LC POSITION	1	2	3	4	5	6	7	8	9	10	11	12

NOTES:

1. CASSETTE MODULE WEIGHT:
2.4oz [69.0g]
2. DIMENSIONS IN BRACKETS ARE METRIC.



TITLE QUICKNET SFQ CASSETTE, 12 FIBER DUPLEX LC TO MPO CASSETTE METHOD U [UNIVERSAL]																
CUSTOMER DRAWING																
ITEM REVISION NAME M02947YB/01										PANDUIT						
DATASET FILE NAME M02947YB_DC/01A																
UNLESS OTHERWISE SPECIFIED, DIMENSIONAL TOLERANCES ARE: IN [mm]																
.x ±				.xxx ± .010 [0.3]												
.xx ± .03 [0.8]				ANGLES ±												
DRAWN BY SAT										DATE 06-26-18		CHK PJI	SCALE NONE		PART NO. SEE SHEET 2	
DESCRIPTION RELEASED TO PRODUCTION										DRAWING NUMBER: M02947YB-DC						
REV SAT										DATE 06-26-18		CHK PJI	SCALE NONE		SHT 1 OF 2	
DESCRIPTION RELEASED TO PRODUCTION										ECN M02947YB-DC			SIZE A			


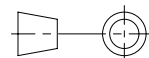
2

1

THIS COPY IS PROVIDED ON A RESTRICTED BASIS AND IS NOT TO BE USED IN ANY WAY DETRIMENTAL TO THE INTERESTS OF PANDUIT CORP.

UNIVERSAL 12F - CASSETTE			
PANDUIT PART NUMBER	FIBER TYPE	PERFORMANCE LEVEL	ADAPTER COLOR (SPLIT SLEEVE)
FQXN-12-10U	OM3	STANDARD LOSS	AQUA (ZIRCONIA)
FQZN-12-10U	OM4		BLUE (ZIRCONIA)
FQ9N-12-10U	OS2		
FQXO-12-10U	OM3	OPTIMIZED LOSS	AQUA (ZIRCONIA)
FQZO-12-10U	OM4		
FQXA-12-10U	OM3	ULTRA LOW LOSS	
FQZA-12-10U	OM4		
FQSA-12-10U	OM4+		

REV	DATE	BY	CHK	APR	DESCRIPTION	ECN
					REFER TO SHEET 1 FOR REVISION HISTORY	

TITLE		QUICKNET SFQ CASSETTE, 12 FIBER DUPLEX LC TO MPO CASSETTE METHOD U [UNIVERSAL]	
ITEM REVISION NAME		CUSTOMER DRAWING	
DATASET FILE NAME		M02947YB/01	
M02947YB_DC/01A			
UNLESS OTHERWISE SPECIFIED, DIMENSIONAL TOLERANCES ARE: IN [mm]			
.x ± .xxx ± .010 [0.3]		PART NO.	
.xx ± .03 [0.8] ANGLES ±		SEE TABLE	
		DRAWING NUMBER:	
THIRD ANGLE PROJECTION		M02947YB-DC	
DRAWN BY	DATE	CHK	SCALE
SAT	06-26-18	PJI	NONE
SHT 2 OF 2			SIZE
			A

2

1