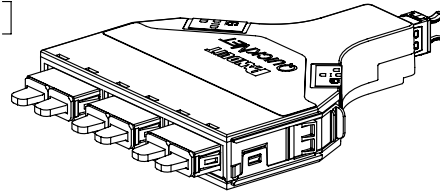
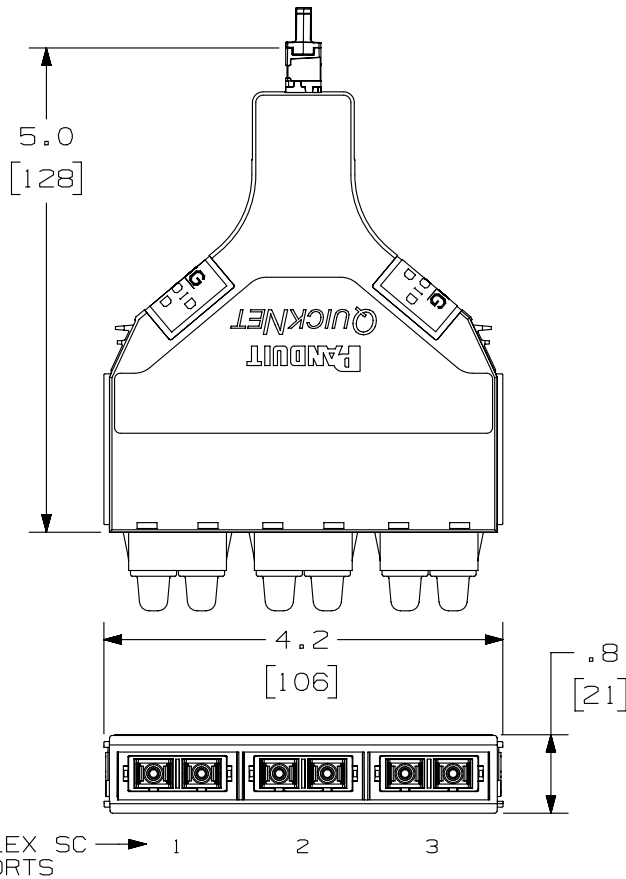


THIS COPY IS PROVIDED ON A RESTRICTED BASIS AND IS NOT TO BE USED IN ANY WAY DETRIMENTAL TO THE INTERESTS OF PANDUIT CORP.



PANDUIT PART NUMBER	FIBER TYPE	PERFORMANCE LEVEL	ADAPTER COLOR (SPLIT SLEEVE)
FQXN-06-03AF	OM3	STANDARD LOSS	AQUA (ZIRCONIA)
FQXO-06-03AF	OM3	OPTIMIZED LOSS	AQUA (ZIRCONIA)
FQZN-06-03AF	OM4	STANDARD LOSS	AQUA (ZIRCONIA)
FQZO-06-03AF	OM4	OPTIMIZED LOSS	AQUA (ZIRCONIA)
FQ9N-06-03AF	OS1/OS2	STANDARD LOSS	BLUE (ZIRCONIA)

NOTES:

- SEE CURRENT CATALOG FOR PART NUMBER SUFFIXES TO INDICATE COLOR AND/OR PACKAGE QUANTITIES.
- SEE CATALOG FOR A COMPLETE LIST OF PARTS APPLICABLE FOR USE WITH THIS PRODUCT.
- MATERIALS:
 - MODULE MATERIAL: PLASTIC
 - ADAPTER: COMPOSITE PLASTIC
- CASSETTE MODULE WEIGHT: 2.4oz [69.0g]
- DIMENSIONS IN BRACKETS ARE METRIC
- ALL MATERIALS AND COMPONENTS USED MEET THE MATERIAL RESTRICTIONS OF RoHS, (EUROPEAN DIRECTIVE 2011/65/EC ON THE RESTRICTIONS OF HAZARDOUS SUBSTANCES) AS PROPOSED BY THE RoHS TECHNICAL ADAPTATION COMMITTEE.

VIEW SHOWN WITHOUT DUSTCAPS

PART NUMBER		FQ** - 06 - 03AF	
TITLE			
QUICKNET SFQ SERIES CASSETTE, 6 FIBER DUPLEX SC TO MPO MODIFIED METHOD A, PAIR FLIPPED CUSTOMER DRAWING			
ITEM REVISION NAME		M02947ZF/02	
DATASET FILE NAME		M02947ZF_DC/00D	
UNLESS OTHERWISE SPECIFIED, DIMENSIONAL TOLERANCES ARE: IN [mm]		MATERIAL:	
.x ± .xxx ± .010 [.3]		DRAWING NUMBER:	
.xx ± .03 [.8]		02947 - 31	
ANGLES ±		THIRD ANGLE PROJECTION	
DRAWN BY		CHK	
EFK		JESA	
DATE		SCALE	
08-05-09		NONE	
DESCRIPTION		SHT 1 OF 1	
ECN		SIZE	
02947-31		A	

REV	DATE	BY	CHK	APR	DESCRIPTION	ECN
3	2/16/15	JSP	WJM	RAR	A. UPDATED DRAWING TITLE BLOCK.	02947-31

D101000DA/14