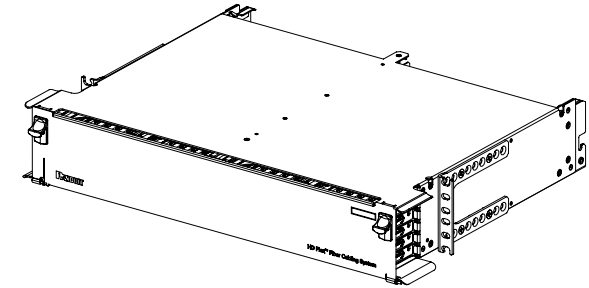
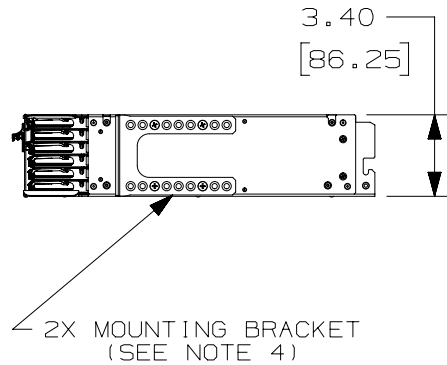
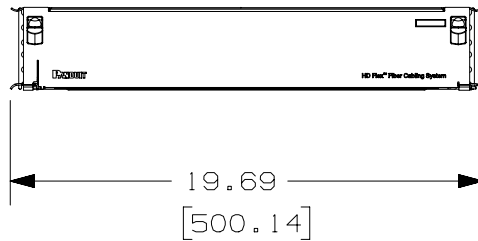
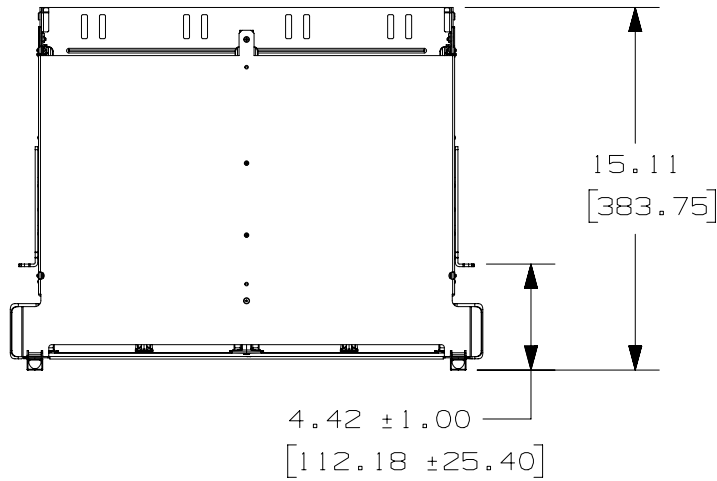


THIS COPY IS PROVIDED ON A RESTRICTED BASIS AND IS NOT TO BE USED IN ANY WAY DETRIMENTAL TO THE INTERESTS OF PANDUIT CORP.

NOTES:

1. SEE CATALOG FOR COMPLETE LIST OF PARTS APPLICABLE FOR USE WITH THIS PART.
2. DIMENSIONS IN BRACKETS ARE METRIC.
3. MATERIAL: GALVANNEALED STEEL
COLOR: BLACK
4. MOUNTING BRACKETS ADJUSTABLE IN 1/2" INCREMENTS.
5. ALL MATERIALS AND COMPONENTS USED MEET THE MATERIAL RESTRICTIONS OF RoHS (EUROPEAN DIRECTIVE 2011/65/EC ON THE RESTRICTION OF HAZARDOUS SUBSTANCES) AS PROPOSED BY THE RoHS TECHNICAL ADAPTATION COMMITTEE.



PANDUIT PART NO.	WEIGHT
FLEX2U04	19.15 lbs (8.69 kg)
FLEX2U06	18.45 lbs (8.37 kg)
FLEX2U12	17.55 lbs (7.96 kg)

REV	DATE	BY	CHK	APR	DESCRIPTION	ECN
00	08-02-16	SAT	JDK	TMK	RELEASED TO PRODUCTION	12F187AM-DC

TITLE HD FLEX 2RU ENCLOSURE (FLEX2U**)			
CUSTOMER DRAWING			
ITEM REVISION NAME 12F187AM/05		PANDUIT	
DATASET FILE NAME 12F187AM_DC/05A			
UNLESS OTHERWISE SPECIFIED, DIMENSIONAL TOLERANCES ARE: IN (mm)		PART NO. FLEX2U**	
DIMENSIONS ARE FOR REFERENCE ONLY		DRAWING NUMBER: 12F187AM-DC	
DRAWN BY SAT	DATE 06-27-16	CHK JDK	SCALE 1 : 8
		THIRD ANGLE PROJECTION	
		SHT 1 OF 1	
		SIZE A	