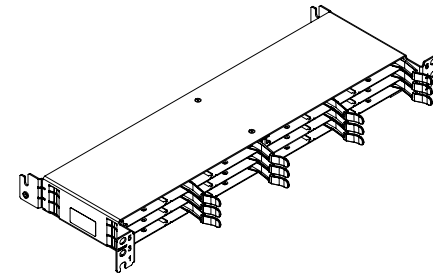
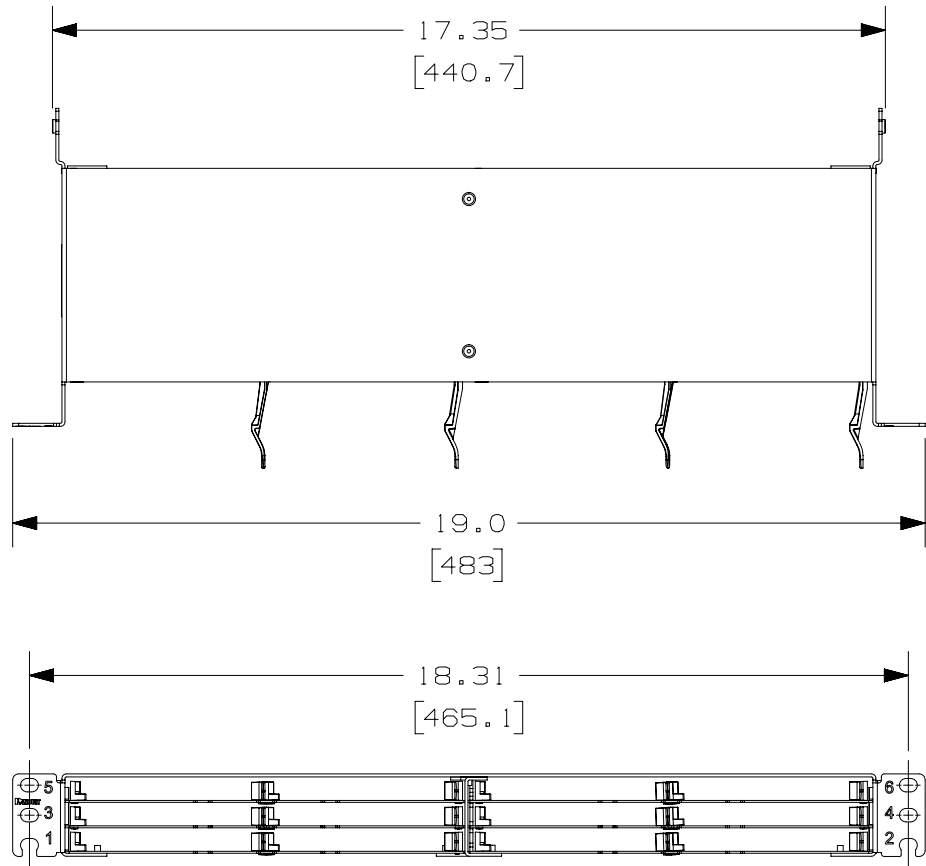


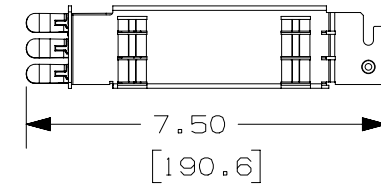
THIS COPY IS PROVIDED ON A RESTRICTED BASIS AND IS NOT TO BE USED IN ANY WAY DETRIMENTAL TO THE INTERESTS OF PANDUIT CORP.

NOTES:

1. ALL MATERIALS AND COMPONENTS USED MEET THE MATERIAL RESTRICTIONS OF RoHS (EUROPEAN DIRECTIVE 2011/65/EC ON THE RESTRICTION OF HAZARDOUS SUBSTANCES) AS PROPOSED BY THE RoHS TECHNICAL ADAPTATION COMMITTEE.



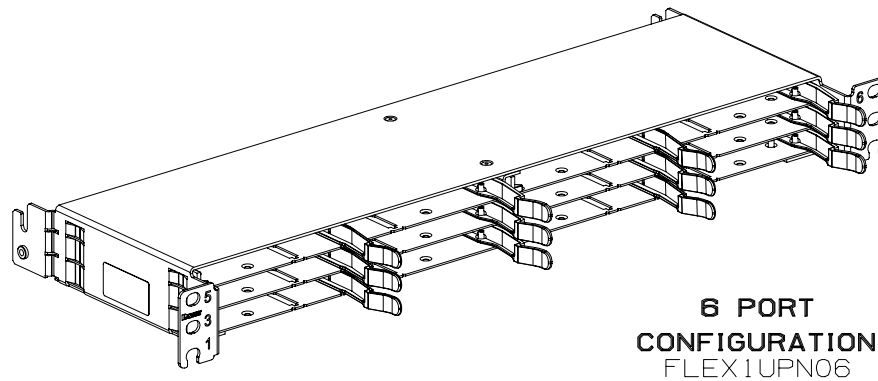
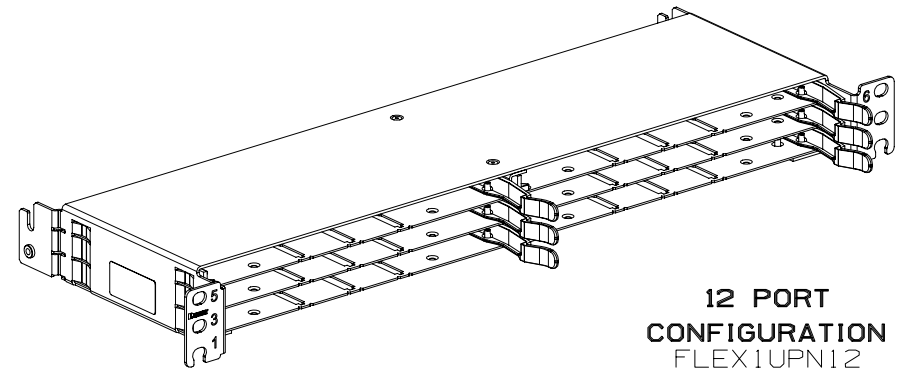
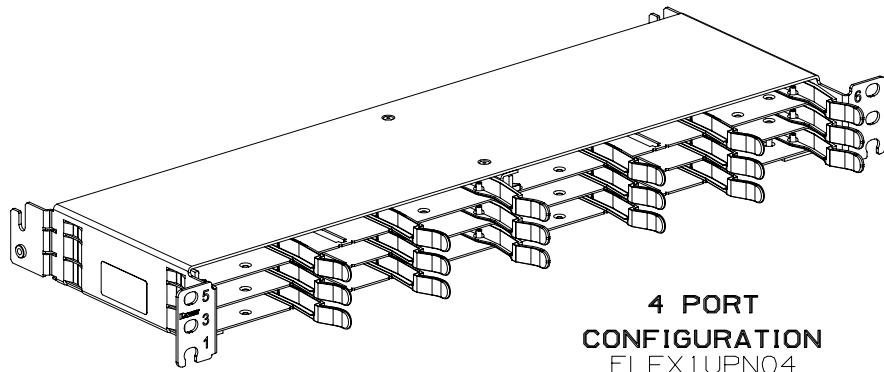
PANDUIT PART NO.	WEIGHT
FLEX1UPN04	6.54 lbs (2.97 kg)
FLEX1UPN06	6.49 lbs (2.94 kg)
FLEX1UPN12	6.40 lbs (2.90 kg)




REV	DATE	BY	CHK	APR	DESCRIPTION	ECN
00	08-24-16	SAT	JESA	TMK	RELEASED FOR CUSTOMER REVIEW	

TITLE		HD FLEX PATCH PANEL	
CUSTOMER DRAWING			
ITEM REVISION NAME		15F318CA/05	
DATASET FILE NAME		15F318CA_DC/05A	
UNLESS OTHERWISE SPECIFIED, DIMENSIONAL TOLERANCES ARE: IN (mm)		PART NO.	
ALL DIMENSIONS ARE FOR REFERENCE ONLY		FLEX1UPN**	
DRAWING NUMBER:		15F318CA-DC	
DRAWN BY	DATE	CHK	SCALE
SAT	08-03-16	JESA	NONE
SHT 1 OF 2		SIZE	
		A	

THIS COPY IS PROVIDED ON A RESTRICTED BASIS AND IS NOT TO BE USED IN ANY WAY DETRIMENTAL TO THE INTERESTS OF PANDUIT CORP.



00	08-24-16	SAT	JESA	TMK	RELEASED TO PRODUCTION				
REV	DATE	BY	CHK	APR	DESCRIPTION	ECN			

TITLE									
HD FLEX PATCH PANEL									
CUSTOMER DRAWING									
ITEM REVISION NAME									
15F318CA/05									
DATASET FILE NAME									
15F318CA_DC/05A									
UNLESS OTHERWISE SPECIFIED, DIMENSIONAL TOLERANCES ARE: IN (mm)								PART NO.	
ALL DIMENSIONS ARE FOR REFERENCE ONLY								FLEX1UPN**	
						DRAWING NUMBER:			
						15F318CA-DC			
DRAWN BY		DATE		CHK		SCALE		SIZE	
SAT		08-03-16		JESA		NONE		A	

2

1