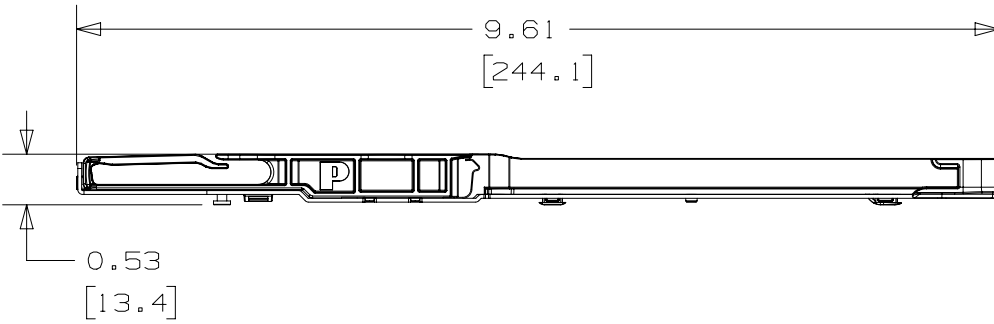
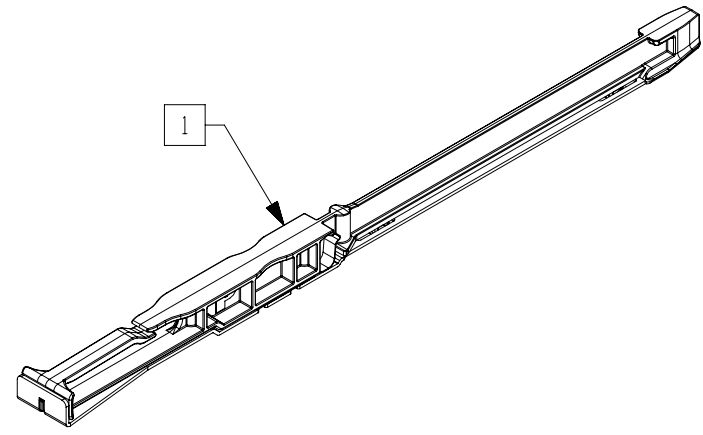
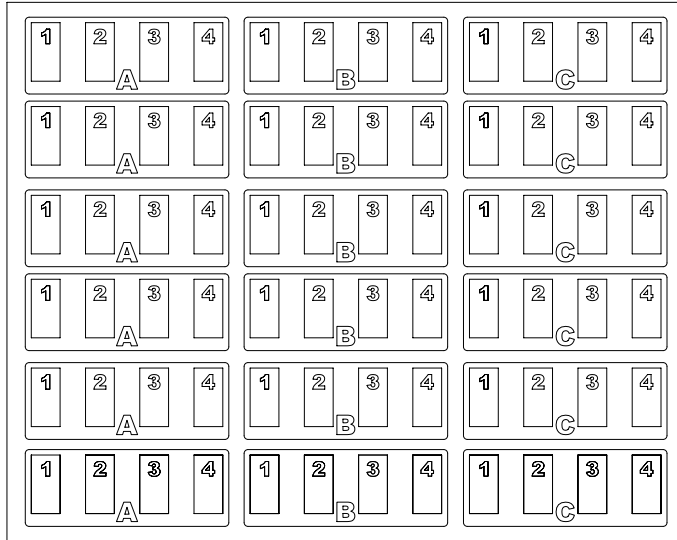


THIS COPY IS PROVIDED ON A RESTRICTED BASIS AND IS NOT TO BE USED IN ANY WAY DETRIMENTAL TO THE INTERESTS OF PANDUIT CORP.


NOTES:

- 1. THE MODULAR RAIL KIT IS DESIGNED FOR THE HD FLEX ENCLOSURES P/N FAMILY FLEX\*U\*\*.
- 2. DIMENSIONS IN [ ] ARE METRIC.
- 3. WEIGHT: .85LBS (385.6g)
- 4. REFERENCE PANDUIT DOCUMENT FS127 FOR INSTALLATION INSTRUCTIONS.



ITEM	DESCRIPTION	QTY.
1	RAIL ASSEMBLY (WHITE PLASTIC)	12
2	LABEL SHEET	1

REV	DATE	BY	CHK	APR	DESCRIPTION	ECN
00A	05-22-17	SAT	JDK	AW	RELEASED TO PRODUCTION	12F187LN-DC

TITLE HD FLEX 4-PORT ENCLOSURE RAIL KIT, 1RU, 12 RAILS, 18 LABELS CUSTOMER DRAWING			
ITEM REVISION NAME 12F187LN/02	 PART NO. FLEX-RAILO4EN		
DATASET FILE NAME 12F187LN_DC/02A			
UNLESS OTHERWISE SPECIFIED, DIMENSIONAL TOLERANCES ARE: IN (mm) .x ± .xxx ± .010 (0.3) .xx ± .03 (0.8) ANGLES ±			
DRAWING NUMBER: 12F187LN-DC		THIRD ANGLE PROJECTION	
DRAWN BY SAT	DATE 05-09-17	CHK JDK	SCALE 1 : 4
SHT 1 OF 1			SIZE A