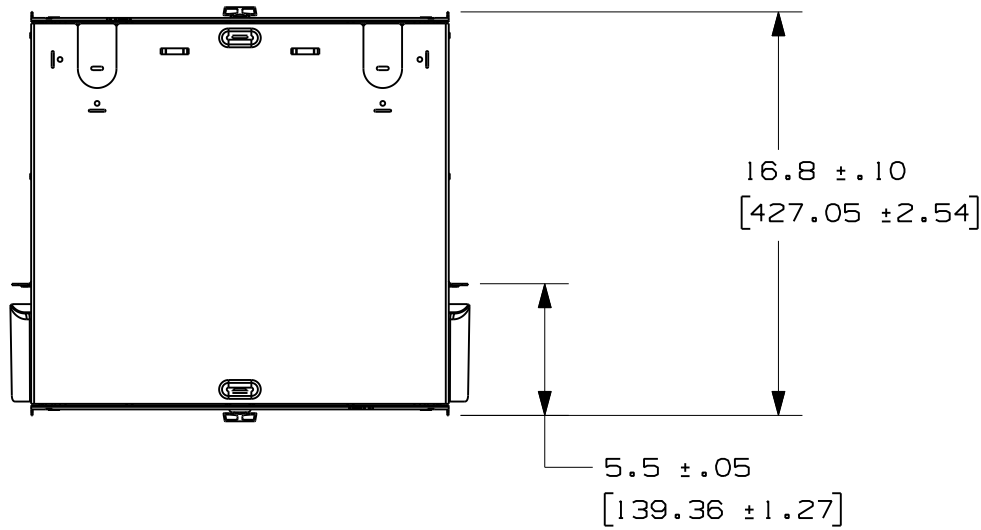
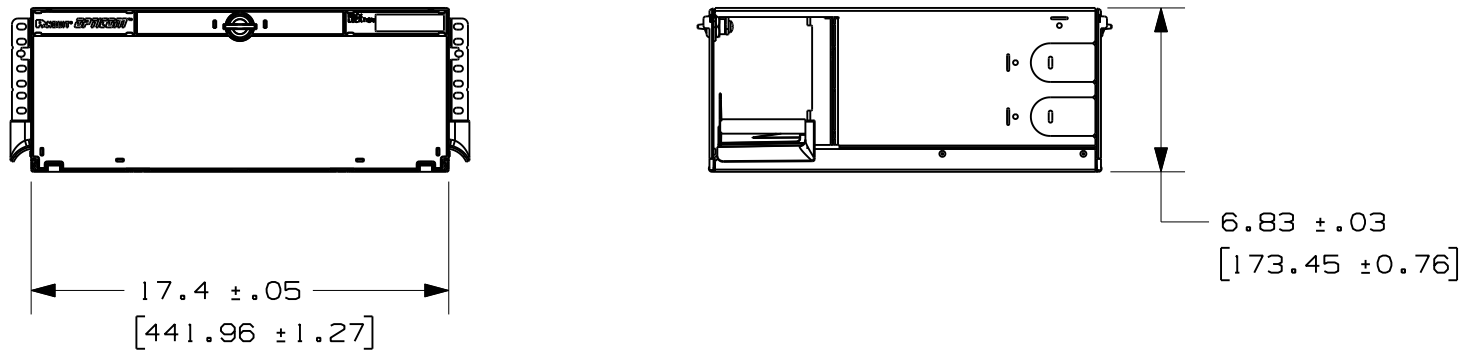
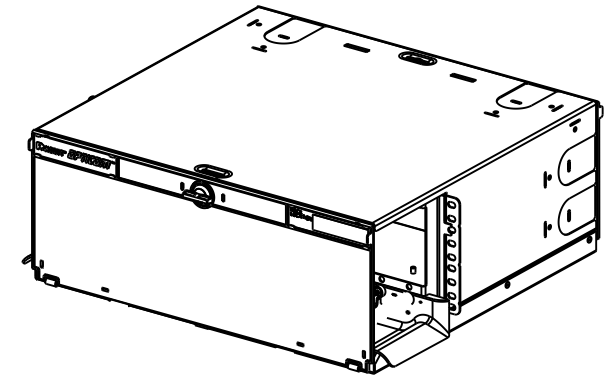


THIS COPY IS PROVIDED ON A RESTRICTED BASIS AND IS NOT TO BE USED IN ANY WAY DETRIMENTAL TO THE INTERESTS OF PANDUIT CORP.



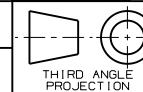
PANDUIT PART NO.	WEIGHT
FCE4U	17.5 LBS/EACH 7.9 Kg/EACH



FIBER CASSETTE ENCLOSURE 4RU
CUSTOMER DRAWING



PANDUIT™
CORP.
TINLEY PARK, ILL 60477



ALL DIMENSIONS ARE GIVEN IN INCHES
UNLESS OTHERWISE SPECIFIED.
DIMENSIONAL TOLERANCES ARE:
(.X) ± .03 | (.XXX) ± .010 | (.3)
(.XX) ± .03 | (.8) ANGLE

DRAWING FILENAME
V10515AA_DC/09A

SCALE
NONE

01 02-05-10 SHY UPDATED V10515AA_DC/09A

00 11-6-07 MAV RELEASED TO PRODUCTION

REV DATE BY CHK DESCRIPTION

ECN - R CUST SUP OTH

DRAWN BY
MAV

DATE
11-6-07

CHK'D

REVIEW DRAWING NUMBERS

SEE
NOTES

PART NO.
FCE4U

DRAWING NO.
10515-17

SIZE
A