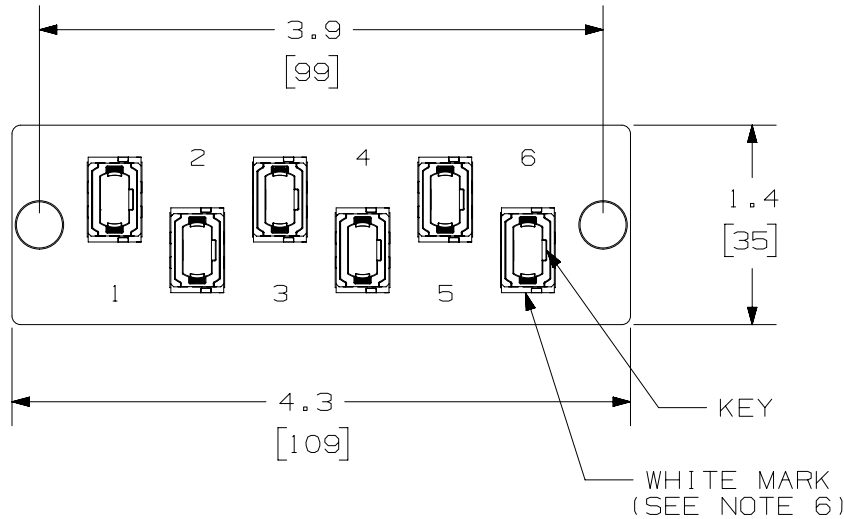


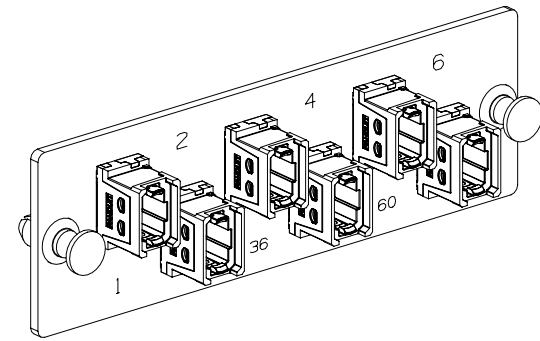
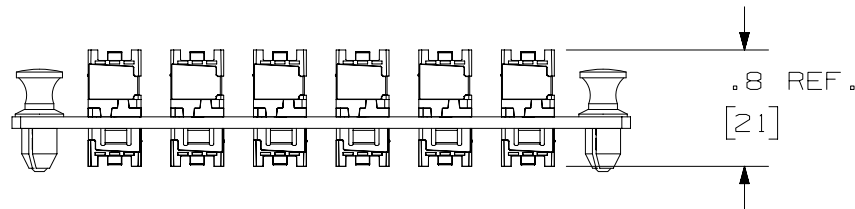
THIS COPY IS PROVIDED ON A RESTRICTED BASIS AND IS NOT TO BE USED IN ANY WAY DETRIMENTAL TO THE INTERESTS OF PANDUIT CORP.

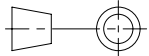
NOTES:

1. SEE CURRENT CATALOG FOR PART NUMBER SUFFIXES TO INDICATE COLOR AND/OR PACKAGE QUANTITIES.
2. SEE CATALOG FOR COMPLETE LIST OF PARTS APPLICABLE FOR USE WITH THIS PRODUCT.
3. MATERIALS:
 - A. PLATE: C.R.S. POWDER COATED.
 - B. ADAPTER: COMPOSITE WITH METAL CLIP.
 - C. ALL MATERIALS AND COMPONENTS USED MEET THE MATERIAL RESTRICTIONS OF RoHS, (EUROPEAN DIRECTIVE 2002/95/EC ON THE RESTRICTION OF HAZARDOUS SUBSTANCES) AS PROPOSED BY THE RoHS TECHNICAL ADAPTATION COMMITTEE.
4. ADAPTERS ARE SUPPLIED WITH TWO DUST PLUGS.
5. DIMENSIONS IN [] ARE METRIC.
6. WHITE MARK ON MPO ADAPTER CORRELATES TO FIRST FIBER ON INSTALLED MPO/MTP CONNECTOR.



DUST CAPS NOT SHOWN FOR CLARITY



| | | | |
|---------------------------------------------------------------------------------------|----------|---------------------------------------------------------|-------|
| PART NUMBER | | FAPH0612BLMPO, FAPH0612CGMPO | |
| TITLE | | 6 POSITION, 72 FIBER HORIZONTAL MPO FIBER ADAPTER PANEL | |
| | | CUSTOMER DRAWING | |
| ITEM REVISION NAME | | M01945AW/02 | |
| DATASET FILE NAME | | M01945AW_DC/02A | |
| UNLESS OTHERWISE SPECIFIED, DIMENSIONAL TOLERANCES ARE: IN (mm) | | MATERIAL: | |
| .X ± | | .XXX ± | |
| .XX ± | | ANGLES ± | |
|  | | THIRD ANGLE PROJECTION | |
| DRAWING NUMBER: | | 01945-64 | |
| DRAWN BY | DATE | CHK | SCALE |
| MC | 08-02-06 | TMSE | NONE |
| REV | DATE | BY | CHK |
| 3 | 6/15/15 | JSP | WJM |
| APR | | TMK | |
| DESCRIPTION | | ECN | |
| A. REVISED DRAWING TITLE BLOCK. | | 01945-64 | |
| SHT 1 OF 1 | | A | |

D10100DA/14